



STATUS[®]
POWER TOOLS

ENG

BELT SANDER

Original instructions

DE

BANDSCHLEIFER

Originalbetriebsanleitung

IT

LEVIGATRICE A NASTRO

Istruzioni originali

BG

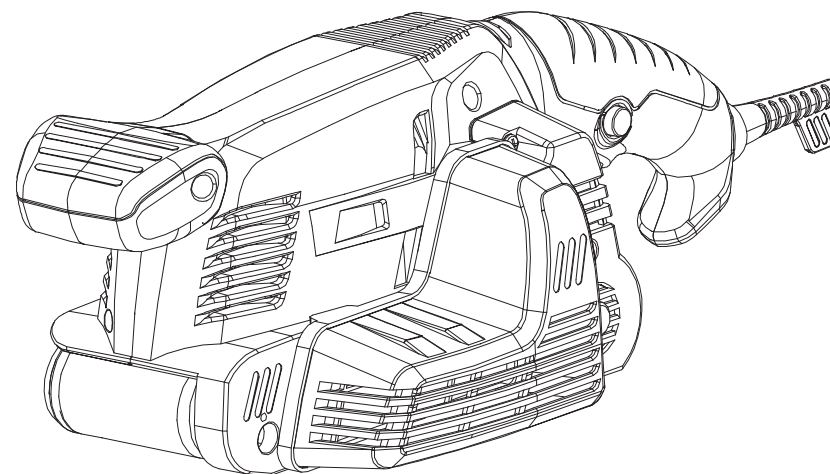
ЛЕНТОШЛИФОВЪЧНА МАШИНА

Оригинална инструкция за използване

RU

ЛЕНТОЧНАЯ ШЛИФМАШИНА

Оригинальная инструкция по эксплуатации



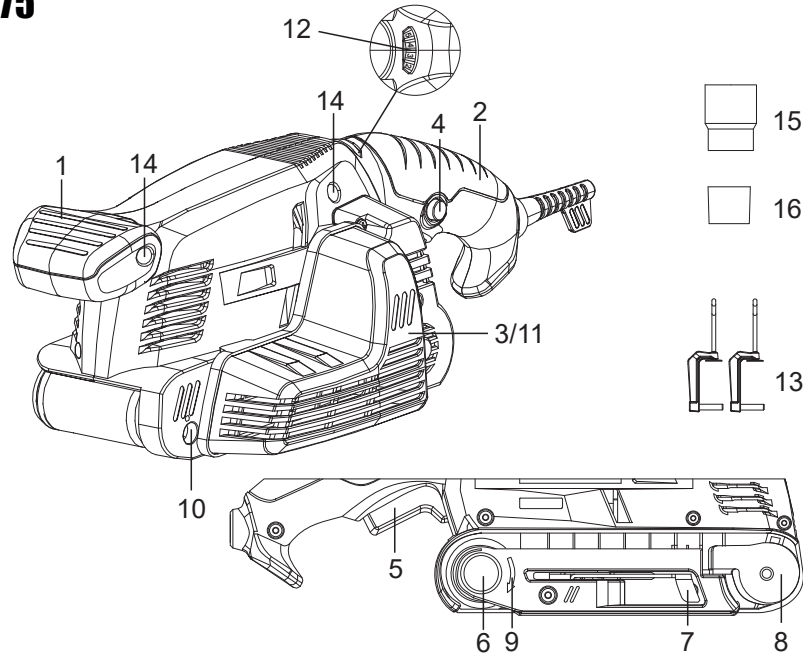
BS75 / BS75M



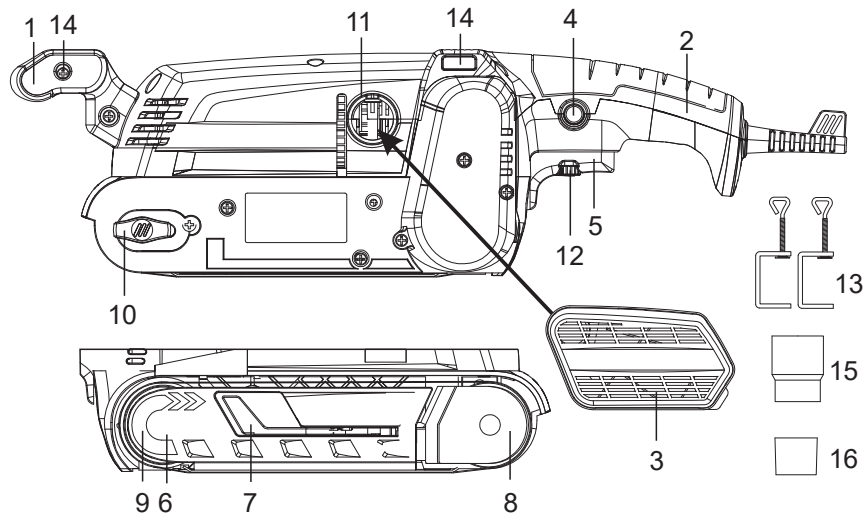
PLEASE RECYCLE
WHERE FACILITIES EXIST



BS75



BS75M



GENERAL SAFETY RULES

WARNING! Read all safety warnings and all instructions. Failure to follow the warnings and instructions may result in electric shock, fire and/or serious injury.

Save all warnings and instructions for future reference.

The term "power tool" in the warnings refers to your mains-operated (corded) power tool or battery-operated (cordless) power tool.

WORK AREA SAFETY

- **Keep work area clean and well lit.** Cluttered or dark areas invite accidents.
- **Do not operate power tools in explosive atmospheres, such as in the presence of flammable liquids, gases or dust.** Power tools create sparks which may ignite the dust or fumes.
- **Keep children and bystanders away while operating a power tool.** Distractions can cause you to lose control.

ELECTRICAL SAFETY

- **Power tool plugs must match the outlet. Never modify the plug in any way. Do not use any adapter plugs with earthed (grounded) power tools.** Unmodified plugs and matching outlets will reduce risk of electric shock.
- **Avoid body contact with earthed or grounded surfaces such as pipes, radiators, ranges and refrigerators.** There is an increased risk of electric shock if your body is earthed or grounded.
- **Do not expose power tools to rain or wet conditions.** Water entering a power tool will increase the risk of electric shock.
- **Do not abuse the cord. Never use the cord for carrying, pulling or unplugging the power tool. Keep cord away from heat, oil, sharp edges or moving parts.** Damaged or entangled cords increase the risk of electric shock.
- **When operating a power tool outdoors, use an extension cord suitable for outdoor use.** Use of a cord suitable for outdoor use reduces the risk of electric shock.
- **If operating a power tool in a damp location is unavoidable, use a residual current device (RCD) protected supply.** Use of an RCD reduces the risk of electric shock.

PERSONAL SAFETY

- **Stay alert, watch what you are doing and use common sense when operating a power tool. Do not use a power tool while you are tired or under the influence of drugs, alcohol or medication.** A moment of inattention while operating power tools may result in serious personal injury.
- **Use personal protective equipment. Always wear eye protection.** Protective equipment such as dust mask, non-skid safety shoes, hard hat, or hearing protection used for appropriate conditions will reduce personal injuries.
- **Prevent unintentional starting. Ensure the switch is in the off-position before connecting to power source and/or battery pack, picking up or carrying the tool. Carrying power tools with your finger on the switch or energising power tools**

1. GENERAL SAFETY RULES

that have the switch on invites accidents.

- **Remove any adjusting key or wrench before turning the power tool on.** A wrench or a key left attached to a rotating part of the power tool may result in personal injury.
- **Do not overreach. Keep proper footing and balance at all times.** This enables better control of the power tool in unexpected situations.
- **Dress properly. Do not wear loose clothing or jewellery. Keep your hair, clothing and gloves away from moving parts.** Loose clothes, jewellery or long hair can be caught in moving parts.
- **If devices are provided for the connection of dust extraction and collection facilities, ensure these are connected and properly used.** Use of dust collection can reduce dust-related hazards.

POWER TOOL USE AND CARE

- **Do not force the power tool. Use the correct power tool for your application.** The correct power tool will do the job better and safer at the rate for which it was designed.
- **Do not use the power tool if the switch does not turn it on and off.** Any power tool that cannot be controlled with the switch is dangerous and must be repaired.
- **Disconnect the plug from the power source and/or the battery pack from the power tool before making any adjustments, changing accessories, or storing power tools.** Such preventive safety measures reduce the risk of starting the power tool accidentally.
- **Store idle power tools out of the reach of children and do not allow persons unfamiliar with the power tool or these instructions to operate the power tool.** Power tools are dangerous in the hands of untrained users.
- **Maintain power tools. Check for misalignment or binding of moving parts, breakage of parts and any other condition that may affect the power tool's operation. If damaged, have the power tool repaired before use.** Many accidents are caused by poorly maintained power tools.
- **Keep cutting tools sharp and clean.** Properly maintained cutting tools with sharp cutting edges are less likely to bind and are easier to control.
- **Use the power tool, accessories and tool bits etc. in accordance with these instructions, taking into account the working conditions and the work to be performed.** Use of the power tool for operations different from those intended could result in a hazardous situation.

SERVICE

- **Have your power tool serviced by a qualified repair person using only identical replacement parts.** This will ensure that the safety of the power tool is maintained

2. ADDITIONAL SAFETY RULES FOR BELT SANDERS

ADDITIONAL SAFETY RULES FOR BELT SANDERS

- **Hold power tool by insulated gripping surfaces, because the belt may contact its own cord.** Cutting a "live" wire may make exposed metal parts of the power tool "live" and shock the operator.
 - **Always wear eye and ear protection and use a dust mask.** The dust and abrasive particles separated during operation may seriously injure your health.
 - **Always remove the plug from the mains socket before making any adjustments or maintenance, including changing the sanding belt.**
 - **While operating the machine, always hold it firmly with both hands and provide for a secure stance.** The power tool is guided more securely with both hands.
 - **Use the machine for dry sanding only.** Penetration of water into the machine increases the risk of an electric shock.
 - **Do not use worn, torn or heavily clogged sanding belts.** Damaged sanding belts can tear apart, be thrown from the machine and injure somebody.
 - Fully unwind cable drum extensions to avoid potential overheating.
 - When an extension cable is required, you must ensure that it has the right ampere rating for your power tool and is in safe electrical condition.
 - The outer metal parts and the bits may get hot after continuous operation. Do not touch the bit or the work piece immediately after operation - they may be extremely hot and you may get serious burns.
 - After long working periods external metal parts and accessories could be hot.
 - If possible, always use clamps or a vice to hold your work.
 - Apply the machine to the workpiece only when switched on and switch the machine off only after it has been lifted away from the workpiece.
 - Always switch off before you put the sander down.
 - Apply slight pressure during operation. The machine own weight is sufficient for good sanding performance. Excessive increase of pressure does not increase sanding capacity, but causes motor overheating and belt wear.
 - The dust, separated while processing materials, containing quartz (SiO₂) is dangerous to your health. Do not process materials containing asbestos.
 - When sanding wood, always connect the dust bag or use a dust extraction system.
 - Before using the sander with metal, always remove the dust bag from the outlet as sparks may ignite the dust or the bag.
 - Do not touch the moving sanding belt.
 - Ensure that you have removed foreign objects such as nails and screws from the work before commencing sanding.
 - Rags, cloths, cord, string and the like should never be left around the work area.
 - Before using the tool on an actual work piece, switch on and let it run for a while. Operate the tool at least 200 mm away from your face and body.
- WARNING:** Before connecting a tool to a power source (mains socket power point receptacle, outlet, etc.) be sure that the voltage supply is the same as that specified on the nameplate of the tool.

3. OPERATION

A power source with a voltage greater than that specified for the tool can result in serious injury to the user, as well as damage to the tool.

- A power source with a voltage greater than that specified for the tool can result in serious injury to the user, as well as damage to the tool.
- If in doubt, do not plug in the tool.
- Using a power source with a voltage less than the nameplate rating is harmful to the motor.
- The tool must be used only for its prescribed purpose. Any use other than those mentioned in this Manual will be considered a case of misuse. The user and not the manufacturer shall be liable for any damage or injury resulting from such cases of misuse.
- To use this tool properly, you must observe the safety regulations, the assembly instructions and the operating instructions to be found in this Manual. All persons who use and service the machine have to be acquainted with this Manual and must be informed about its potential hazards. Children and frail people must not use this tool. Children should be supervised at all times if they are in the area in which the tool is being used. It is also imperative that you observe the accident prevention regulations in force in your area. The same applies for general rules of occupational health and safety.
- The manufacturer shall not be liable for any changes made to the tool nor for any damage resulting from such changes.

Even when the tool is used as prescribed it is not possible to eliminate all residual risk factors. The following hazards may arise in connection with the tool's construction and design:

- Damage to the lungs if an effective dust mask is not worn.
- Damage to hearing if effective earmuffs are not worn.
- STATUS power tools must not be used outdoors in rainy weather, or in moist environment (after rain) or in close vicinity with easily flammable liquids and gases. The working place should be well lit.

OPERATION

KNOW YOUR PRODUCT

Before using the power tool, familiarize yourself with all the operating features and safety requirements. Use the tool and accessories only for the applications intended. All other applications are expressly ruled out.

- | | |
|-------------------------------|---|
| 1. Front handle | 9. Belt rotation direction indicator |
| 2. Main handle | 10. Tracking adjustment screw(BS75)/knob(BS75M) |
| 3. Dust collection box | 11. Dust extraction port |
| 4. Lock-on button | 12. Electronic regulator of speed |
| 5. ON/OFF switch | 13. Fixing clamps |
| 6. Drive roller | 14. Mounting holes |
| 7. Sanding belt tension lever | 15. Dust suction pipe (diameter 35 mm.) |
| 8. Front belt roller | 16. Dust suction pipe (diameter 32 mm.) |

3. OPERATION

PRIOR TO INITIAL OPERATION

WARNING: Make sure power supply voltage corresponds to the value indicated on the name plate with technical data of the tool.

- Always check the position of ON/OFF switch. The power tool must be connected to the power supply socket only when this switch is in OFF position. If the plug is connected to a receptacle while the power switch is in the ON position, the power tool will start operating immediately, which could cause a serious accident.
- Make sure the cord and the plug are in order. If the replacement of the supply cord is necessary, this has to be done by the manufacturer or his agent in order to avoid a safety hazard.

SWITCHING ON - SWITCHING OFF

Brief activation:

Switching on: press ON/OFF switch (5).

Switching off: release ON/OFF switch (5).

Continuous use:

Switching on: press ON/OFF switch (5) and in pressed position lock it by button (4).

Switching off: press ON/OFF switch (5) once and release it immediately.

ATTACHING A SANDING BELT

WARNING: Switch off the sander and disconnect it from the power point.

1. Pull the belt tension lever (7) and slide off the old belt.
2. Check that the replacement belt has a good join and is not frayed at the edges.
3. Slip the new belt into position with the rotation arrow on the inside of the belt pointing in the same direction as the arrow on the sander.
4. Fold down the lever (7).
5. Plug the sander into a power point and with the sander held tight, pull the trigger on/off switch (5) and allow the belt to rotate for a short period.
6. Whilst the belt is running, adjust the tracking knob/screw (10) to align the belt to the centre of the roller (8).
7. Repeat the trigger action and tracking adjustment until the belt is correctly aligned.
8. Run the sander for a minute or so to ensure correct alignment before using the sander on a work piece.

WARNING: Do not continue to use the sander with a sanding belt that is worn or damaged.

WARNING: Do not use the same sanding belt for wood and metal.

Metal particles become embedded in the belt and will scour a wooden surface.

SELECTING THE RIGHT GRADE OF SANDING BELT

- Different grades of sanding belt can be purchased from your local hardware store. Typical grades are Coarse (40 grit), Medium (80 and 100 grit) and Fine (120 grit).
- Use Coarse grade to remove rough finishes, Medium grade to smooth the work and Fine grade to finish it off.
- It is best to make a trial run on a scrap piece of material to determine the optimum grades of belt for a particular job.
- In order to take full advantage of your sander, always purchase good quality belts.

3. OPERATION

NOTE: After sanding with a belt sander, an orbital sander should be used to give a better surface finish.

PRE-SELECTING THE BELT SPEED

The necessary belt speed can be pre-selected with electronic regulator thumbwheel (12), even during operation.

The optimum belt speed depends on belt grit and processed material and can be determined through experience.

SANDING

1. These sanders are designed for sanding wood, metal, plastic and similar materials. They are used mainly for quickly removing a large amount of material. Do not use these sanders for sanding magnesium.
2. Ensure that the belt is in good condition.
3. Plug in the tool to the power socket.
4. Adjust the necessary speed by rotating the regulator thumbwheel (12). Sanding efficiency and surface quality are determined by belt grade and speed. The higher the belt speed, the more material is removed and the finer the sanded surface.
5. Bring down the sander onto the work piece and apply light pressure.
6. Press the trigger and allow the belt to reach full speed before moving it across the work.
7. Press the lock on button (4) if you require continuous operation.
8. Sand with the grain, in parallel overlapping strokes.
9. To remove paint or smooth very rough wood, sand across the grain at 45° in two directions, and then finish parallel with the grain.
10. Use the front roller (8) to sand corners or irregular shapes.
11. Lift the sander off the work before switching off.
12. Remember to keep your hands away from the moving belt, as it will continue to move for a short time after the machine is switched off.
13. Wear safety goggles, a dust mask and earmuffs.

DUST EXTRACTION

1. Disconnect the plug from the power supply.
2. Firmly push the plastic nozzle of the dust box (3) onto the dust extraction port (11).
3. Before removing the dust box, first disconnect the plug from the power supply.

WARNING: For optimum dust removal, empty the dust box when it is no more than half full. Do not use the dust bag when sanding metal.

The hot metal particles could cause residual wood dust or the bag itself to catch fire.

Cleaning the box: remove the dust box and carefully open it, shake the dust and close the dust box.

4. A vacuum cleaner adapter can be used to connect a household vacuum cleaner or workshop dust extraction system to the sander.
5. An adapter is fitted into the dust extraction port (11).

4. TECHNICAL SPECIFICATIONS

STATIONARY USE

This machine can be mounted to a bench for stationary use.

- Turn the machine upside down. The mounting holes (14) shall face towards the operator.
- Insert the mounting pins of the clamps (13) into the mounting holes (14).
- Use the clamps (13) to fasten the machine onto the bench.
- Tighten the clamps with the wing nuts by hand. Make sure the clamps are tightened properly but do not over tighten.
- Make sure the machine is securely fastened to the bench before switching the machine on. The machine can be set to continuous operation by means of the lock-on button (4).

TECHNICAL SPECIFICATIONS

Model:	BS75	BS75M
Power input	600 W	900 W
No load belt speed	170 - 250 m/min	240 - 400 m/min
Sanding area	75 x 125 mm	75 x 155 mm
Belt size	75 x 457 mm	75 x 533 mm
Weight	2.3 kg	3.2 kg
Safety class	II	II

Noise and vibration information

Noise emission (measured values determined according to EN 62841):

A-weighted sound pressure level L_{pA}	88.76 dB(A)	92.22 dB(A)
Uncertainty K_{pA}	3.0 dB	3.0 dB
A-weighted sound power level L_{wA}	99.76 dB(A)	103.22 dB(A)
Uncertainty K_{wA}	3.0 dB	3.0 dB

Wear hearing protection!

Vibration emission

Total vibration values (vector sum in the three axes) determined according to EN 62841

Vibration emission value a_h	4.432/2.671 m/s ²	4.181/6,115 m/s ²
Uncertainty K	1.5 m/s ²	1.5 m/s ²

The vibration emission level given in this information sheet has been measured in accordance with a standardised test given in EN 62841 and may be used to compare one tool with another. It may be used for a preliminary assessment of exposure.

The declared vibration emission level represents the main applications of the tool. However if the tool is used for different applications, with different accessories or poorly maintained, the vibration emission may differ. This may significantly increase the exposure level over the total working period.

An estimation of the level of exposure to vibration should also take into account the times when the tool is switched off or when it is running but not actually doing the job. This may significantly reduce the exposure level over the total working period.

5. MAINTENANCE

Maintain the power tool and the accessories and keep your hands warm during operation to reduce the harmful effect of vibrations.

Dust from material such as paint containing lead, some wood species, minerals and metal may be harmful. Contact with or inhalation of the dust may cause allergic reactions and/or respiratory diseases to the operator or bystanders.

- Where the use of a dust extraction device is possible it shall be used.
- To achieve a high level of dust collection, use vacuum cleaner for wood or for wood and/or minerals together with this tool.
- The work place must be well ventilated.
- The use of a dust mask of filter class P2 is recommended.

Follow national requirements for the materials you want to work with.

ACCESSORIES

The included accessories for BS75: 1 pccs of dust box, dust suction pipe Ø35, dust suction pipe Ø32, 2 metal clamp, sand belt 75x457mm.

The included accessories for BS75M: 1 pccs of dust box, dust suction pipe Ø35, dust suction pipe Ø32, 2 metal clamp, sand belt 75x533mm.

MAINTENANCE

WARNING: Always ensure that the tool is switched off and unplugged before attempting to perform inspection or maintenance. Regularly check that all the fixing screws are tight. They may vibrate loose over time.

Re-lubricate all moving parts at regular intervals.

BRUSH REPLACEMENT

When the carbon brushes are worn out, both brushes must be replaced simultaneously with genuine brushes at STATUS service centre for warranty and post-warranty service.

CLEANING

For safe operation always keep the machine and its ventilation slots clean. Regularly check to see if any dust or foreign matter has entered the grills near the motor and around the switches. Use a soft brush to remove any accumulated dust. Wear safety glasses to protect your eyes whilst cleaning. If the body of the tool needs cleaning, wipe it with a soft damp cloth. A mild detergent can be used.

WARNING: Never use alcohol, petrol or other cleaning agent. Never use caustic agents to clean plastic parts.

WARNING: Water must never come into contact with the tool.

IMPORTANT: To assure product safety and reliability, repairs, maintenance and adjustment (including brush inspection and replacement) should be performed by certified service centres or other qualified service organisations, always using genuine replacement parts.

WARRANTY

The guarantee period for STATUS power tools is determined in the guarantee card. Faults due to normal wear, overloading or improper handling will be excluded from the guarantee. Faults due to defective materials implemented as well as defects in workmanship will be corrected free of charge through replacement or repair.

6. CE DECLARATION OF CONFORMITY

CE DECLARATION OF CONFORMITY

We STATUS ITALIA S.R.L. as the responsible manufacturer declare that the following STATUS machine(s): Belt sander Model No./ Type: BS75 and BS75M are of series production and conforms to the following European Directives: 2006/42/EC, 2014/30/EU.

And are manufactured in accordance with the following standards or standardised documents: **BS75:** EN55014-1:2017, EN55014-2:2015, EN61000-3-3:2013, EN61000-3-2:2014, EN 62841-1:2015, EN 62841-2-4:2014, AfPS GS 2014:01. **BS75M:** EN55014:2016+A1+A2, EN55014-2:2015, EN61000-3-3:2013, EN61000-3-2:2014, EN 62841-1:2015, EN 62841-2-4:2014, AfPS GS 2014:01

The technical documentation kept by the manufacturer: STATUS ITALIA S.R.L., via Aldo Moro, 14/A, 36060 - Pianezze (VI), ITALY



Caron Giacinto
Director
STATUS ITALIA S.R.L.

1. ALLGEMEINE SICHERHEITSHINWEISE

WARNUNG! Lesen Sie alle Sicherheitshinweise und Anweisungen. Versäumnisse bei der Einhaltung der Sicherheitshinweise und Anweisungen können elektrischen Schlag, Brand und/oder schwere Verletzungen verursachen.

Bewahren Sie alle Sicherheitshinweise und Anweisungen für die Zukunft auf.
ARBEITSPLATZSICHERHEIT

- **Halten Sie Ihren Arbeitsbereich sauber und gut beleuchtet.** Unordnung oder unbeleuchtete Arbeitsbereiche können zu Unfällen führen.
- **Arbeiten Sie mit dem Elektrowerkzeug nicht in explosionsgefährdeter Umgebung, in der sich brennbare Flüssigkeiten, Gase oder Stäube befinden.** Elektrowerkzeuge erzeugen Funken, die den Staub oder die Dämpfe entzünden können.
- **Halten Sie Kinder und andere Personen während der Benutzung des Elektrowerkzeugs fern.** Bei Ablenkung können Sie die Kontrolle über das Gerät verlieren.

ELEKTRISCHE SICHERHEIT

- **Der Anschlussstecker des Elektrowerkzeuges muss in die Steckdose passen. Der Stecker darf in keiner Weise verändert werden. Verwenden Sie keine Adapterstecker gemeinsam mit schutzgeerdeten Elektrowerkzeugen.** Unveränderte Stecker und passende Steckdosen verringern das Risiko eines elektrischen Schlages.
- **Vermeiden Sie Körperkontakt mit geerdeten Oberflächen wie von Rohren, Heizungen, Herden und Kühlschränken. Es besteht ein erhöhtes Risiko durch elektrischen Schlag, wenn Ihr Körper geerdet ist.**
- **Halten Sie Elektrowerkzeuge von Regen oder Nässe fern.** Das Eindringen von Wasser in ein Elektrowerkzeug erhöht das Risiko eines elektrischen Schlages.
- **Zweckentfremden Sie das Kabel nicht, um das Elektrowerkzeug zu tragen, aufzuhängen oder um den Stecker aus der Steckdose zu ziehen.** Halten Sie das Kabel fern von Hitze, Öl, scharfen Kanten oder sich bewegenden Geräteteilen. Beschädigte oder verwickelte Kabel erhöhen das Risiko eines elektrischen Schlages.
- **Wenn Sie mit einem Elektrowerkzeug im Freien arbeiten, verwenden Sie nur Verlängerungskabel, die auch für den Außenbereich geeignet sind.** Die Anwendung eines für den Außenbereich geeigneten Verlängerungskabels verringert das Risiko eines elektrischen Schlages.
- **Wenn der Betrieb des Elektrowerkzeuges in feuchter Umgebung nicht vermeidbar ist, verwenden Sie einen Fehlerstromschutzschalter.** Der Einsatz eines Fehlerstromschutzschalters vermindert das Risiko elektrischen Schlages.

SICHERHEIT VON PERSONEN

- **Seien Sie aufmerksam, achten Sie darauf, was Sie tun, und gehen Sie mit Vernunft an die Arbeit mit einem Elektrowerkzeug.** Benutzen Sie kein Elektrowerkzeug, wenn Sie müde sind oder unter dem Einfluss von Drogen, Alkohol oder Medikamenten stehen. Ein Moment der Unachtsamkeit beim Gebrauch des Elektrowerkzeuges kann zu ernsthaften Verletzungen führen.

1. ALLGEMEINE SICHERHEITSHINWEISE

- **Tragen Sie persönliche Schutzausrüstung und immer eine Schutzbrille.** Das Tragen persönlicher Schutzausrüstung, wie Staubmaske, rutschfeste Sicherheitsschuhe, Schutzhelm oder Gehörschutz, je nach Art und Einsatz des Elektrowerkzeuges, verringert das Risiko von Verletzungen.
 - **Vermeiden Sie eine unbeabsichtigte Inbetriebnahme.** Vergewissern Sie sich, dass das Elektrowerkzeug ausgeschaltet ist, bevor Sie es an die Stromversorgung und/oder den Akku anschließen, es aufnehmen oder tragen. Wenn Sie beim Tragen des Elektrowerkzeuges den Finger am Schalter haben oder das Gerät eingeschaltet an die Stromversorgung anschließen, kann dies zu Unfällen führen.
 - **Entfernen Sie Einstellwerkzeuge oder Schraubenschlüssel, bevor Sie das Elektrowerkzeug einschalten.** Ein Werkzeug oder Schlüssel, der sich in einem drehenden Geräteteil befindet, kann zu Verletzungen führen.
 - **Vermeiden Sie eine abnormale Körperhaltung.** Sorgen Sie für einen sicheren Stand und halten Sie jederzeit das Gleichgewicht. Dadurch können Sie das Elektrowerkzeug in unerwarteten Situationen besser kontrollieren.
 - **Tragen Sie geeignete Kleidung.** Tragen Sie keine weite Kleidung oder Schmuck. Halten Sie Haare, Kleidung und Handschuhe fern von sich bewegenden Teilen. Lockere Kleidung, Schmuck oder lange Haare können von sich bewegenden Teilen erfasst werden.
 - **Wenn Staubabsaug- und -auffangeinrichtungen montiert werden können, vergewissern Sie sich, dass diese angeschlossen sind und richtig verwendet werden.** Verwendung einer Staubabsaugung kann Gefährdungen durch Staub verringern.
- ### **VERWENDUNG UND BEHANDLUNG DES ELEKTROWERKZEUGES**
- **Überlasten Sie das Gerät nicht. Verwenden Sie für Ihre Arbeit das dafür bestimmte Elektrowerkzeug.** Mit dem passenden Elektrowerkzeug arbeiten Sie besser und sicherer im angegebenen Leistungsbereich.
 - **Benutzen Sie kein Elektrowerkzeug, dessen Schalter defekt ist.** Ein Elektrowerkzeug, das sich nicht mehr ein- oder ausschalten lässt, ist gefährlich und muss repariert werden.
 - **Ziehen Sie den Stecker aus der Steckdose und/ oder entfernen Sie den Akku, bevor Sie Geräteeinstellungen vornehmen, Zubehörteile wechseln oder das Gerät weglegen.** Diese Vorsichtsmaßnahme verhindert den unbeabsichtigten Start des Elektrowerkzeuges.
 - **Bewahren Sie unbenutzte Elektrowerkzeuge außerhalb der Reichweite von Kindern auf.** Lassen Sie Personen das Gerät nicht benutzen, die mit diesem nicht vertraut sind oder diese Anweisungen nicht gelesen haben. Elektrowerkzeuge sind gefährlich, wenn Sie von unerfahrenen Personen benutzt werden.
 - **Pflegen Sie Elektrowerkzeuge mit Sorgfalt. Kontrollieren Sie, ob bewegliche Teile einwandfrei funktionieren und nicht klemmen, ob Teile gebrochen oder so beschädigt sind, dass die Funktion des Elektrowerkzeuges beeinträchtigt ist.** Lassen Sie beschädigte Teile vor dem Einsatz des Gerätes reparieren. Viele Unfälle haben ihre Ursache in schlecht gewarteten Elektrowerkzeugen.

2. ZUSÄTZLICHE SICHERHEITSREGELN BEI ARBEITEN MIT BAND SCHLEIFERN

- Halten Sie Schneidwerkzeuge scharf und sauber. Sorgfältig gepflegte Schneidwerkzeuge mit scharfen Schneidkanten verkleben sich weniger und sind leichter zu führen.
- Verwenden Sie Elektrowerkzeug, Zubehör, Einsatzwerkzeuge usw. entsprechend diesen Anweisungen. Berücksichtigen Sie dabei die Arbeitsbedingungen und die auszuführende Tätigkeit. Der Gebrauch von Elektrowerkzeugen für andere als die vorgesehenen Anwendungen kann zu gefährlichen Situationen führen.

SERVICE

- Lassen Sie Ihr Elektrowerkzeug nur von qualifiziertem Fachpersonal und nur mit Original- Ersatzteilen reparieren. Damit wird sichergestellt, dass die Sicherheit des Elektrowerkzeuges erhalten bleibt.

ZUSÄTZLICHE SICHERHEITSREGELN BEI ARBEITEN MIT BAND SCHLEIFERN

- Halten Sie das Gerät an den isolierten Griffflächen, da das Schleifband das eigene Netzkabel treffen kann. Das Beschädigen einer spannungsführenden Leitung kann metallene Geräteteile unter Spannung setzen und zu einem elektrischen Schlag führen.
- Immer Schutzbrille und Gehörschutz tragen, Staubmaske verwenden. Der während der Arbeit entstandene Staub und abrasive Teilchen können Ihre Gesundheit schädigen.
- Schalten Sie das Elektrowerkzeug immer aus und ziehen Sie den Stecker aus der Steckdose vor dem Beginn von Reparaturarbeiten, Einstellungen oder Austausch des Sandpapiers.
- Während der Arbeit halten Sie die Maschine mit Ihren beiden Händen fest und sichern Sie eine stabile Körperposition. Sie können das Elektrowerkzeug sicherer handhaben, wenn Sie es mit beiden Händen halten.
- Benutzen Sie die Maschine nur zum Trockenschleifen. Das Eindringen von Wasser in die Maschine erhöht das Risiko von Stromschlag.
- Benutzen Sie keine verschlissenen, zerrissenen oder angeschlagenen Schleifbänder. Die beschädigten Schleifbänder können zerreißen, herausspringen und einen Mensch verletzen.
- Um ein eventuelles Überhitzen zu verhindern, wickeln Sie immer das Verlängerungskabel von der Kabeltrommel bis zum Ende ab.
- Wenn das Benutzen eines Verlängerungskabels notwendig ist, vergewissern Sie sich, dass sein Querschnitt dem Nennstrom des benutzten Elektrowerkzeugs entspricht, sowie dass das Verlängerungskabel unbeschädigt ist.
- Halten Sie das Versorgungskabel außerhalb des Arbeitsbereiches der Maschine.
- Nach längerem Betrieb können sich die Außenmetallteile und Zubehöre erwärmen. Berühren Sie nicht das Arbeitswerkzeug oder das bearbeitete Werkstück sofort nach der Arbeit – sie können zu heiß sein und Ihnen eine Hautverbrennung zufügen.
- Falls es möglich ist, benutzen Sie immer Klammern oder einen Schraubstock, um das zu bearbeitende Material zu fixieren.

2. ZUSÄTZLICHE SICHERHEITSREGELN BEI ARBEITEN MIT BAND SCHLEIFERN

- Berühren Sie das zu bearbeitende Material mit dem Elektrowerkzeug nur nachdem Sie das Elektrowerkzeug eingeschaltet haben und schalten Sie es aus nachdem Sie es vom Material entfernt haben.
 - Schalten Sie immer das Elektrowerkzeug aus bevor Sie es hinlegen.
 - Benutzen Sie einen leichten Druck bei der Arbeit. Das Eigengewicht des Elektrowerkzeugs ist ausreichend um eine gute Produktivität zu erreichen. Übermäßiger Druck erhöht nicht die Produktivität, sondern führt zum Überhitzen des Elektromotors und zu einem intensiven Verschleiß des Bandes.
 - Der Staub, entstanden bei der Bearbeitung von Materialien, die Quarz enthalten, ist schädlich für die Gesundheit. Materialien, die Asbest enthalten, dürfen nicht bearbeitet werden.
 - Wenn Sie hölzerne Oberflächen schleifen, benutzen Sie immer einen Staubbeutel oder ein System zum Staubableiten.
 - Vor dem Benutzen des Elektrowerkzeugs zu einer Metallbearbeitung, nehmen Sie immer den Staubbeutel ab, denn Funken können den Staub oder den Beutel entzünden.
 - Berühren Sie nicht das sich bewegende Band mit der Hand.
 - Überzeugen Sie sich, dass Sie alle Fremdkörper, wie zum Beispiel Nägel und Schrauben, vom zu bearbeitenden Material vor dem Arbeitsbeginn entfernt haben.
 - Lappen, Kabel, Leitungen, Seile und anderen Gegenstände dürfen niemals in der Nähe des Arbeitsplatzes abgelegt werden.
 - Vor dem Gebrauch des Elektrowerkzeuges sollten Sie es eine gewisse Zeit im Leerlauf laufen lassen. Während der Arbeit sollte sich das Elektrowerkzeug in einem Abstand von mindestens 200 mm vom Gesicht und vom Körper befinden.
 - Das Elektrowerkzeug darf nur bestimmungsgemäß benutzt werden. Jede Anwendung, die sich von der in dieser Anleitung beschriebenen unterscheidet, wird als unrichtig angesehen. Die Haftung für jegliche Beschädigung oder Verletzung, entstanden infolge einer unrichtigen Anwendung, wird der Benutzer und nicht der Hersteller tragen.
- Alle Benutzer müssen sich mit dieser Betriebsanleitung bekanntmachen und über die potentiellen Risiken bei der Arbeit mit dem Elektrowerkzeug informieren. Kinder und körperlich schwache Menschen dürfen das Elektrowerkzeug nicht benutzen.
- Der Hersteller trägt keine Haftung für die vom Benutzer gemachten Änderungen des Elektrowerkzeugs oder für Beschädigungen und Schaden, entstanden infolge solcher Änderungen. Auch wenn das Elektrowerkzeug bestimmungsgemäß benutzt wird, ist es unmöglich dass alle restlichen Risikofaktoren eliminiert werden. Die nachstehend aufgezählten Gefahren können in Zusammenhang mit den konstruktiven Besonderheiten und dem Design des Elektrowerkzeugs entstehen.
 - Beschädigungen der Lungen, wenn Sie keine Schutzmaske tragen.
 - Beschädigungen des Gehörs, wenn Sie keinen Gehörschutz tragen.
 - Das Elektrowerkzeug darf nicht im Freien bei Regenwetter, in einer feuchten Umgebung (nach Regen) oder in der Nähe von leicht entzündbaren Flüssigkeiten und Gasen benutzt werden. Der Arbeitsplatz muss gut beleuchtet sein.

ARBEITSANWEISUNGEN

Bekanntmachung mit dem Elektrowerkzeug

Bevor Sie mit dem Bandschleifer zu arbeiten beginnen, machen Sie sich bekannt mit seinen operativen Besonderheiten und den Sicherheitsbedingungen.

Verwenden Sie das Elektrowerkzeug und seine Zubehörteile nur bestimmungsgemäß. Jede andere Verwendung ist ausdrücklich verboten.

- | | |
|---|---|
| 1. Fordergriff | 9. Anzeiger für die Banddrehrichtung |
| 2. Hauptgriff | 10. Justierknopf (BS75M) / Schraube (BS75)
für Positionieren des Schleifbandes auf den Wellen. |
| 3. Staubsack | 11. Staubgang |
| 4. Feststellknopf | 12. Stellrad Bandgeschwindigkeit |
| 5. Ein-Aus-Schalter | 13. Befestigungsklammern |
| 6. Antriebsteil | 14. Montageöffnungen |
| 7. Spannhebel | 15. Staubsaugrohr (Durchmesser 35 mm) |
| 8. Vordere Antriebswelle
des Schleifbandes | 16. Staubsaugrohr (Durchmesser 32 mm) |

BEVOR SIE MIT DER ARBEIT BEGINNEN

WARNUNG: Überprüfen Sie ob die Netzspannung der Spannung, angegeben auf dem Typenschild des Elektrogerätes entspricht.

- Überprüfen Sie die Stellung des Ein-/Ausschalters. Das Elektrowerkzeug soll zum Netz nur bei ausgeschaltetem Schalter angeschlossen und von ihm getrennt werden. Falls Sie den Stecker in die Steckdose stecken, solange der Schalter eingeschaltet ist, wird das Elektrowerkzeug sofort starten, was eine Voraussetzung für Unfall ist.
- Überzeugen Sie sich in der Ganzheit des Netzkabels und des Steckers. Falls das Netzkabel beschädigt ist, soll sein Austausch von dem Hersteller oder von Servicefachmann vorgenommen werden, um die Gefahren bei dem Austausch zu vermeiden.

EIN- UND AUSSCHALTEN

Kurzzeitige Betätigung:

Einschalten: Schalter (5) gedrückt.

Ausschalten: Schalter (5) loslassen.

Dauerbetrieb:

Einschalten: Schalter (5) drücken und in dieser Stellung mit dem Feststellknopf (4) arretieren.

Ausschalten: Schalter (5) einmal drücken und sofort loslassen.

EINAU DES SCHLEIFBANDES

WARNUNG: Schalten Sie das Elektrowerkzeug aus und ziehen Sie den Stecker aus der Steckdose.

1. Den Spannhebel (7) ganz herausschwenken und das alte Schleifband abnehmen.
2. Überprüfen Sie, ob das neue Schleifband leicht aufzulegen ist und ihre Kanten nicht verschlissen sind.

3. Die Pfeilrichtungen auf der Schleifbandinnenseite und dem Gerätegehäuse müssen übereinstimmen.
4. Den Spannhebel (7) wieder in Ausgangsstellung zurückschwenken.
5. Stecken Sie den Stecker in die Steckdose und indem Sie das Elektrowerkzeug fest mit beiden Händen halten, schalten Sie es ein. Lassen Sie das Schleifband sich kurz drehen.
6. Solange sich das Schleifband dreht, den Bandlauf in der Mitte der Welle (8) mit dem Justierkopf / Schraube (10) regeln.
7. Wiederholen Sie alle diese Operationen, bis das Schleifband richtig ausgerichtet wird.
8. Schalten Sie das Elektrowerkzeug ein, um sich zu überzeugen, dass die Einstellungen richtig sind.

WARNUNG: Arbeiten Sie mit dem Elektrowerkzeug nicht, falls sein Schleifband verschlissen oder beschädigt ist.

WARNUNG: Schleifen vom Holz und Metall mit gleichem Schleifband ist unzulässig. Die Metallteilchen setzen sich auf dem Band fest und werden die Holzfläche beschädigen.

SCHLEIFBANDWAHL

1. In den spezialisierten Geschäften können verschiedene Schleifbänder gekauft werden: grobes (Körnung 40), mittleres (Körnung 100) und feines (Körnung 120).
2. Verwenden Sie das grobe Schleifband für grobe Bearbeitung, das mittlere – für besseres Glätten und das feine – für Beendigungsarbeiten.
3. Die beste Variante ist, Probeschleifen zu machen, um den optimalen Grad für die konkrete Arbeit zu bestimmen.
4. Um die Vorteile des Bandschleifers voll ausnutzen zu können, sollen Sie immer Schleifbänder von guter Qualität kaufen.

HINWEIS: Nach dem Schleifen mit dem Bandschleifer, verwenden Sie Vibroschleifband für Erreichen von idealen Ergebnissen.

EINSTELLUNG DER SCHLEIFBANDGESCHWINDIGKEIT

Die Schleifbandgeschwindigkeit kann stufenlos durch Drehen des Stellrades (12) sogar während des Betriebes vorgewählt werden.

Die optimale Bandgeschwindigkeit ist von der Körnung und vom Werkstoff abhängig und durch praktischen Versuch zu ermitteln.

SCHLEIFEN

1. Diese Elektrowerkzeuge sind zum Schleifen von Holz, Metall, Kunststoff und ähnlichen Werkstoffen bestimmt. Sie werden hauptsächlich für schnelles Abtragen von größeren Mengen des Stoffes verwendet. Benutzen Sie dieses Gerät nicht zur Magnesiumbearbeitung.
2. Überzeugen Sie sich, dass das Schleifband gut angelegt ist.
3. Stecken Sie den Stecker des Netzkabels in die Steckdose.
4. Wählen Sie die erforderliche Geschwindigkeit mit Hilfe des Stellrades (12). Die Leistungsfähigkeit und die Qualität der zu bearbeitenden Fläche hängen von der Körnung des Schleifbandes und der Geschwindigkeit ab. Je höher die Band-

3. ARBEITSANWEISUNGEN

- geschwindigkeit, umso höher den Abtrag und umso feiner die Schleiffläche.
5. Setzen Sie das Gerät auf das zu bearbeitende Werkstück und üben Sie geringen Schleifdruck aus.
 6. Drücken Sie den Ein-/Ausschalter und warten Sie ab, bis das Elektrowerkzeug die höchste Geschwindigkeit erreicht, bevor Sie mit dem Schleifen beginnen.
 7. Drücken Sie den Feststellknopf für Ein-/Ausschalter, wenn Sie dauernd arbeiten wollen.
 8. Schleifen Sie in Richtung der Materialstruktur mit parallelen und sich überlappenden Bewegungen.
 9. Beim Abschleifen von Farbresten oder Glatten von sehr unebenem Holzmaterial, schleifen Sie unter einem Winkel von 45° in beiden Richtungen. Dann beenden Sie die Arbeit mit Bewegungen in Richtung der Materialstruktur.
 10. Verwenden Sie die Vorderwelle nur bei Schleifen von Eckkanten und ungeraden Formen.
 11. Nehmen Sie das Gerät von dem zu bearbeitenden Material weg, bevor Sie es ausschalten.
 12. Vergessen Sie nicht, die Hände weg von dem sich beweglichen Schleifband zu halten, weil es sich gewisse Zeit nach Ausschalten des Gerätes dreht.

STAUBABSAUGUNG

1. Trennen Sie den Stecker von der Stromversorgung.
2. Drücken Sie die Kunststoffdüse der Staubbox (3) fest auf die Absaugöffnung (11).
3. Bevor Sie die Staubbox entfernen, ziehen Sie zuerst den Stecker aus der Steckdose.

WARNUNG: Um Staub optimal zu entfernen, leeren Sie den Staubbehälter, wenn er nicht mehr vorhanden ist als halb voll. Verwenden Sie den Staubbeutel nicht beim Schleifen von Metall. Die heißen Metallpartikel können Rückstände von Holzstaub oder den Beutel selbst verursachen Feuer fangen.

Reinigen der Box: Entfernen Sie die Staubbox und öffnen Sie sie vorsichtig, schütteln Sie den Staub und schließe die Staubbox.

4. Ein Staubsaugeradapter kann zum Anschließen eines Haushaltsstaubsaugers verwendet werden oder Werkstatt Staubabsaugung zum Schleifer.
5. In die Absaugöffnung (11) ist ein Adapter eingebaut.

STATIONÄRER GEBRAUCH

Diese Maschine kann an einer Bank für den stationären Gebrauch montiert werden.

1. Stellen Sie die Maschine auf den Kopf.
2. Setzen Sie die Befestigungsstifte der Klammern (13) in die Befestigungslöcher (14) ein.
3. Befestigen Sie die Maschine mit den Klammern (13) auf der Werkbank.
4. Ziehen Sie die Klammern mit den Flügelmuttern von Hand fest. Stellen Sie sicher, dass die Klammern sind richtig angezogen, aber nicht zu fest anziehen.
5. Stellen Sie sicher, dass das Gerät sicher an der Bank befestigt ist, bevor Sie das Gerät einschalten Maschine an. Die Maschine kann auf Dauerbetrieb eingestellt werden Verriegelungstaste (4).

4. TECHNISCHE ANGABEN

TECHNISCHE ANGABEN

Modell:	BS75	BS75M
Nennaufnahmeleistung	600 W	900 W
Leerlaufgeschwindigkeit	170 - 250 m/min	240 - 400 m/min
Schleiffläche	75 x 125 mm	75 x 155 mm
Schleifbandabmessungen	75 x 457 mm	75 x 533 mm
Gewicht (EPTA Verfahren 01/2003)	2.3 kg	3.2 kg
Schutzklasse (EN 60745)	II	II

Information über laufgeräusche und schwingungen

Geräuschemissionswerte (Messwerte ermittelt entsprechend EN 62841):

A-abgewogener Schalldruckpegel L_{pA}	88.76 dB(A)	92.22 dB(A)
Unbestimmtheit K_{pA}	3.0 dB	3.0 dB
A- abgewogener Schalldruckpegel L_{wA}	99.76 dB(A)	103.22 dB(A)
Unbestimmtheit K_{wA}	3.0 dB	3.0 dB

Gehörschutz tragen!

Schwingungsemissionswerte

Messwert der geschaffenen Schwingungen a_h	4.432/2.671 m/s ²	4.181/6,115 m/s ²
Unbestimmtheit K	1.5 m/s ²	1.5 m/s ²

Der in diesen Anweisungen angegebene Schwingungspegel ist entsprechend einem in EN 62841 genormten Messverfahren gemessen worden und kann für den Vergleich von Elektrowerkzeugen miteinander verwendet werden.

Er eignet sich auch für eine vorläufige Einschätzung der Schwingungsbelastung. Der angegebene Schwingungspegel repräsentiert die hauptsächlichen Anwendungen des Elektrowerkzeugs. Wenn allerdings das Elektrowerkzeug für andere Anwendungen, mit abweichenden Einsatzwerkzeugen oder ungenügender Wartung eingesetzt wird, kann der Schwingungspegel abweichen.

Dies kann die Schwingungsbelastung über den gesamten Arbeitszeitraum deutlich erhöhen.

Für eine genaue Abschätzung der Schwingungsbelastung sollten auch die Zeiten berücksichtigt werden, in denen das Gerät abgeschaltet ist oder zwar läuft, aber nicht tatsächlich im Einsatz ist. Dies kann die Schwingungsbelastung über den gesamten Arbeitszeitraum deutlich reduzieren.

Pflegen Sie das Gerät und die Einsatzwerkzeuge mit Sorgfalt.

Halten Sie Ihre Hände warm während der Arbeit – dies wird die schädliche Einwirkung erhöhter Schwingungen reduzieren.

ZUBEHÖR

Das mitgelieferte Zubehör für BS75: 1 Stück Staubbox, Staubsaugrohr Ø35, Staubsaugrohr Ø32, 2 Metallklemme, Sandband 75x457mm.

Das mitgelieferte Zubehör für BS75M: 1 Stück Staubbox, Staubsaugrohr Ø35, Staubsaugrohr Ø32, 2 Metallklammer, Sandband 75x533mm.

WARTUNG

WARNUNG: Schalten Sie das Elektrowerkzeug immer aus und ziehen Sie den Stecker aus der Steckdose vor jeder Überprüfung oder Wartungsarbeit. Überprüfen Sie regelmäßig, ob die Schrauben des Gehäuses fest angezogen sind. Bei längerem Gebrauch können sich die Schrauben von den Vibrationen lösen. Ölen Sie regelmäßig alle sich beweglichen Teile.

BÜRSTEN WECHSELN

Bei verschlissenen Bürsten sollen die beiden Bürsten gleichzeitig durch Originalbürsten in einem STATUS - Service ersetzt werden.

REINIGEN

Überprüfen Sie regelmäßig, ob im Lüftungsgitter in der Nähe des Motors oder um die Umschalter kein Staub oder keine fremde Körper eingedrungen sind. Verwenden Sie eine weiche Bürste für die Entfernung des Staubs. Um Ihre Augen zu schützen, tragen Sie während der Reinigung Schutzbrille. Falls der Maschinenkörper gereinigt werden soll, wischen Sie ihn mit einem weichen feuchten Tuch. Sie können eine schwache Waschmittellösung verwenden.

WARNUNG: Die Verwendung von Alkohol, Benzin oder andere Lösungsmittel ist untersagt. Verwenden Sie nie fressende Mittel für die Reinigung der Kunststoffteile.

WARNUNG: Das Eindringen vom Wasser in die Maschine ist nicht zulässig.

WICHTIG: Um eine sichere Arbeit mit dem Elektrowerkzeug und seine Zuverlässigkeit zu gewährleisten, sollen alle Reparatur-, Wartungs- und Einstellarbeiten (einschl. die Überprüfung und das Auswechseln der Bürsten) in den autorisierten STATUS – Servicestellen bei Verwendung von Originalersatzteilen durchgeführt werden.

CE - KONFORMITÄTSERKLÄRUNG

Wir STATUS ITALIA S.R.L. wie der verantwortliche Hersteller erklärt, dass der folgende STATUS Maschine (n): Bandschleifer Modell Nr./Typ: BS75 und BS75M sind Serienprodukte und entsprechen den folgenden europäischen Richtlinien: 2006/42 / EU, 2014/30/ EU

Und werden in Übereinstimmung mit den folgenden Normen hergestellt oder standardisiert Dokumente:

BS75: EN55014-1:2017, EN55014-2:2015, EN61000-3-3:2013, EN61000-3-2:2014, EN 62841-1:2015, EN 62841-2-4:2014, AfPS GS 2014:01. BS75M: EN55014:2016 +A1+A2, EN55014-2:2015, EN61000-3-3:2013, EN61000-3-2:2014, EN 62841-1:2015, EN 62841-2-4:2014, AfPS GS 2014:01.

Die technische Dokumentation des Herstellers: STATUS ITALIA S.R.L., via Aldo Moro, 14 / A, 36060 - Pianeze (VI), ITALIEN



Caron Giacinto
Direktor
STATUS ITALIA S.R.L.

AVVERTENZE DI SICUREZZA

ATTENZIONE! Leggere tutte le istruzioni d'uso e le avvertenze di sicurezza. L'inosservanza delle istruzioni seguenti può causare folgorazioni, incendi e/o gravi danni a persone. Conservare con cura queste istruzioni.

Il termine "utensile" in tutte le avvertenze successive si riferisce sia agli utensili collegati alla rete elettrica (con cavo di alimentazione) che agli utensili a batteria (senza cavo).

AREA DI LAVORO

- **Mantenere l'area di lavoro pulita e ben illuminata.** Le zone buie ed ingombre di oggetti favoriscono incidenti.
- **Non utilizzare l'utensile in presenza di liquidi infiammabili, gas o polvere.** Le scintille generate potrebbero infiammare polvere e/o vapore.
- **Tenere a distanza bambini e terzi durante il funzionamento.** Per una distrazione potreste perdere il controllo dell'utensile.

SICUREZZA ELETTRICA

- **La spina dell'utensile deve essere adatta alla presa utilizzata. Non modificare la spina in alcun modo. Non utilizzare adattatori con gli utensili collegati a terra.** L'impiego di una spina integra ed una presa adatta riduce i rischi di folgorazione.
- **Evitare di toccare con il corpo le superfici collegate a terra quali tubi, radiatori, forni e frigoriferi.** Il rischio di folgorazione aumenta se il corpo è collegato a terra.
- **Non esporre l'utensile alla pioggia e all'umidità.** La penetrazione d'acqua nell'utensile aumenta il rischio di folgorazione.
- **Non utilizzare il cavo per scopi diversi da quello previsto. Non utilizzare il cavo per trasportare o tirare l'utensile, oppure per staccare la spina dalla presa. Tenere il cavo lontano da fonti di calore, olio, parti appuntite o in movimento.** Cavi danneggiati o attorcigliati aumentano il rischio di folgorazione.
- **Se l'utensile viene utilizzato all'aperto, usare una prolunga adatta all'uso esterno.** L'impiego di una prolunga da esterno reduce il rischio di folgorazione.
- **Se il lavoro in un ambiente umido è strettamente necessario, utilizzare una presa protetta da dispositivo a corrente residua.** Ciò riduce i rischi di scosse.

SICUREZZA PERSONALE

- **L'uso di elettroutensili richiede attenzione e buon senso. Non utilizzare gli utensili se si è stanchi o sotto l'effetto di droghe, alcol o medicinali.** Una breve disattenzione può provocare gravi danni alle persone.
- **Munirsi di indumenti e dispositivi di protezione. Indossare sempre occhiali da lavoro.** L'uso di dispositivi di protezione tra cui mascherina antipolvere, scarpe antiscivolo, casco e protezioni per l'udito riduce il rischio di danni a persone.
- **Evitare l'accensione accidentale. Accertarsi che l'interruttore sia in posizione "OFF" prima di inserire la spina.** Se si trasportano gli utensili con il dito sull'interruttore o si inserisce la spina nella presa con l'interruttore in posizione "ON" aumenta il rischio di incidenti.

1. AVVERTENZE DI SICUREZZA

- **Togliere tutte le chiavi di regolazione prima di accendere l'utensile.** Una chiave lasciata inserita in una parte rotante di un utensile può provocare danni a persone.
- **Non utilizzare l'utensile in condizioni estreme. Mantenere sempre l'equilibrio ed i piedi ben appoggiati a terra.** Questo consente un maggior controllo dell'utensile in caso di imprevisti.
- **Indossare un abbigliamento adeguato. Non indossare abiti svolazzanti o gioielli. Tenere capelli, vestiti, e guanti lontani dalle parti in movimento.** Abiti svolazzanti, gioielli o capelli potrebbero impigliarsi nelle parti in movimento.
- **In presenza di apparecchiature per il collegamento a dispositivi di aspirazione e raccolta delle polveri, accertarsi che essi siano collegati ed utilizzarli correttamente.** L'uso di queste apparecchiature può ridurre i rischi causati dalla polvere.

USO E MANUTENZIONE DELL'UTENSILE

- **Utilizzare l'utensile più adatto per il lavoro da svolgere.** L'impiego dell'utensile giusto migliora la qualità del lavoro e la sicurezza.
- **Non utilizzare l'utensile se non è possibile accenderlo e spegnerlo con l'apposito interruttore.** Gli utensili che non possono essere controllati con l'interruttore sono pericolosi e devono essere riparati.
- **Staccare la spina dall'alimentazione di corrente prima di eseguire regolazioni, cambiare accessori o riporre l'utensile.** Osservando queste precauzioni si riduce il rischio di accensione accidentale dell'utensile.
- **Riporre gli utensili non utilizzati fuori dalla portata dei bambini e non consentirne l'utilizzo a persone che non conoscono l'utensile o queste istruzioni.** Nelle mani di persone inesperte gli utensili possono diventare pericolosi.
- **Sottoporre l'utensile a manutenzione. Verificare il corretto allineamento di tutte le parti mobili, controllare che non siano grippate e che non vi siano rotture o altri guasti che potrebbero influire sul funzionamento dell'utensile.** Far riparare gli utensili danneggiati prima di riutilizzarli. Molti incidenti sono causati da utensili in pessime condizioni.
- **Tenere le punte e gli strumenti da taglio puliti ed affilati.** Se sottoposti ad una regolare manutenzione e pulizia consentono di lavorare in modo più preciso e sono maggiormente controllabili.
- **Utilizzare l'utensile, gli accessori, gli attrezzi etc. secondo quanto indicato in queste istruzioni nonché tenendo in considerazione le condizioni di lavoro e il lavoro da eseguire.** L'impiego di utensili per scopi diversi da quelli per cui sono stati progettati può dare origine a situazioni pericolose.

MANUTENZIONE

- **Far riparare l'utensile da personale qualificato che utilizzi solo parti di ricambio originali.** In caso contrario la sicurezza dell'utensile potrebbe risultare compromessa.

2. ISTRUZIONI SUPPLEMENTARI DI SICUREZZA NEL LAVORO CON LEVIGATRICI A NASTRO

ISTRUZIONI SUPPLEMENTARI DI SICUREZZA NEL LAVORO CON LEVIGATRICI A NASTRO

- **Afferrate l'apparecchiatura per le superfici di presa isolate, perché il nastro abrasivo potrebbe colpire il proprio cavo di alimentazione.** Se si danneggia un cavo sotto tensione, le parti metalliche di un'apparecchiatura potrebbero entrare in tensione e causare una scossa elettrica.
- **Indossare sempre occhiali protettivi e cuffie antirumore, e usare maschera antipolvere.** La polvere e le particelle abrasive sprigionate durante il lavoro, possono danneggiare seriamente la salute.
- **Disinnestare sempre l'elettrotensile dalla presa prima di effettuare qualsiasi riparazione, regolazione, o la sostituzione della carta abrasiva.**
- **Nel lavorare tenere sempre la macchina saldamente con entrambe le mani, e mantenere una posizione stabile del corpo.** L'elettrotensile viene guidato in maniera più sicura quando si afferra con entrambe le mani.
- **Usare la macchina soltanto per levigatura secca.** Acqua penetrata nella macchina aumenta il rischio di scossa elettrica.
- **Non lavorare con nastri da levigatura usurati, rotti, o intrisi di polvere.** I nastri danneggiati potrebbero rompersi, uscire fuori e ferire qualcuno.
- Per ovviare all'eventuale surriscaldamento, svolgere sempre completamente il cavo di prolunga con rocchetto.
- Quando si deve usare una prolunga, accertarsi che la sua sezione corrisponda alla corrente nominale dell'elettrotensile usato, nonché dello stato di efficienza della prolunga.
- Tenere il cordone di alimentazione fuori del raggio operativo della macchina.
- Dopo un lavoro continuativo le parti metalliche esterne e gli accessori possono riscaldarsi. Non toccare l'utensile o il pezzo da lavorare subito dopo il lavoro – essi potrebbero essere roventi ed ustionare la pelle.
- Se possibile usare sempre graffe o morse, per fissare il materiale in lavorazione.
- Toccare con l'elettrotensile il materiale da lavorare solo dopo aver acceso l'elettrotensile, e spegnerlo dopo averlo staccato dal materiale.
- Disinserire sempre l'elettrotensile prima di posarlo.
- Applicare poca pressione nel lavoro. Il proprio peso dell'elettrotensile è sufficiente per ottenere un rendimento buono. La pressione eccessiva non aumenta il rendimento, ma provoca invece il surriscaldamento del motore e l'usura intensa del nastro.
- La polvere sprigionata durante la lavorazione di materiali contenenti quarzo (biossido di silicio) è nocivo per la salute. Non lavorare materiali contenenti amianto.
- Quando si leviga legno, usare sempre un sacchetto per la polvere o un sistema di depolverizzazione.
- Prima di utilizzare l'elettrotensile per lavorazione di metallo, togliere sempre il sacchetto per la polvere, poiché le scintille potrebbero infiammare la polvere o il sacchetto.

2. ISTRUZIONI SUPPLEMENTARI DI SICUREZZA NEL LAVORO CON LEVIGATRICI A NASTRO

- Non toccare un nastro movente.
- Accertarsi di aver rimosso dal materiale da lavorare tutti i corpi estranei, per esempio chiodi o viti, prima di cominciare il lavoro.
- Non lasciare mai stracci, cavi, corde o altri oggetti simili in vicinanza del posto di lavoro.
- Prima di usare l'elettrotensile su un pezzo da lavorare concreto, metterlo in moto e lasciarlo funzionare per breve tempo, per accertarsi che esso funziona normalmente. L'elettrotensile deve stare durante il lavoro ad almeno 200 mm dal viso e dal corpo.

ATTENZIONE: Prima di allacciare l'elettrotensile alla rete di alimentazione (presa, portalampada) accertarsi che la tensione di alimentazione sia la stessa di quella riportata sulla targhetta dati tecnici dell'elettrotensile.

Tensione di alimentazione superiore alla nominale, può causare seri traumi all'utente, nonché un guasto alla macchina.

- Una fonte di alimentazione dalla tensione superiore a quella indicata per l'elettrotensile, può causare sia una grave lesione da scossa elettrica all'operatore, sia un guasto all'elettrotensile.
- Se si ha qualsiasi esitazione, non innestare la spina dell'elettrotensile nella presa.
- L'uso di una fonte di alimentazione con tensione inferiore a quella indicata sulla targhetta dati tecnici dell'elettrotensile, danneggerà il motore elettrico.
- Impiegare l'elettrotensile soltanto secondo la sua destinazione d'uso. Qualsiasi altro uso, differente da quello descritto in queste istruzioni, verrà considerato erraneo. La responsabilità per qualsiasi guasto o ferimento che risulta da uso erraneo, cadrà sull'utente, e non sul fabbricante.
- Per sfruttare correttamente questo elettrotensile, si devono rispettare le regole di sicurezza, le istruzioni generali e le istruzioni sul funzionamento qui indicate. Tutti gli utenti devono prendere conoscenza di questo manuale di istruzioni, ed essere informati dei potenziali rischi nel lavoro con l'elettrotensile. Bambini e persone fisicamente deboli non devono usare l'elettrotensile. I bambini devono stare sotto continua sorveglianza se si trovano vicino ad un luogo dove si lavora con l'elettrotensile. È obbligatorio prendere anche precauzioni di sicurezza. Lo stesso concerne pure l'osservanza delle regole principali relative alla salute e alla sicurezza professionale.
- Il fabbricante non sarà tenuto responsabile per modifiche apportate dall'utente all'elettrotensile, o per guasti causati da tali modifiche. Anche quando l'elettrotensile viene impiegato secondo la sua destinazione d'uso, è impossibile eliminare tutti i fattori residui di rischio. I pericoli enumerati qui sotto potrebbero emergere in relazione alle caratteristiche strutturali e al disegno tecnico dell'elettrotensile.
- Lesione dei polmoni, se non si indossa una maschera protettiva.
- Lesione dell'udito, se non si indossano cuffie antirumore.
- Non usare l'elettrotensile all'aperto quando piove, in un ambiente umido (dopo una pioggia), o in vicinanza di liquidi o gas facilmente infiammabili. Mantenere il posto di lavoro ben illuminato.

3. ISTRUZIONI PER L'USO

ISTRUZIONI PER L'USO

PRENDERE VISIONE DELL'ELETTROTENSILE

Prima di cominciare a lavorare con l'elettrotensile, prendere conoscenza di tutte le caratteristiche operative e condizioni di sicurezza. Impiegare l'elettrotensile e i suoi accessori unicamente secondo la destinazione d'uso. Ogni altro impiego è espressamente vietato.

- | | |
|---|---|
| 1. Impugnatura anteriore | 9. Indicatore del senso di rotazione del nastro |
| 2. Impugnatura principale | 10. Regolatore per posizionamento del nastro abrasivo sui rulli |
| 3. Contenitore per la polvere | 11. Dispositivo per depolverizzazione |
| 4. Pulsante di bloccaggio | 12. Regolatore elettronico della velocità |
| 5. Interruttore | 13. Staffe di fissaggio |
| 6. Parte di movimentazione | 14. Fori di montaggio |
| 7. Leva per tendere il nastro abrasivo | 15. Tubo di aspirazione della polvere (Ø35 mm.) |
| 8. Rullo anteriore per muovere il nastro abrasivo | 16. Tubo di aspirazione della polvere (Ø32 mm.) |

Questi elettrotensili vengono alimentati da corrente alternata monofase. Avendo l'isolamento doppio conformemente all'EN 60745 e all'IEC 60745, essi si possono innestare in prese senza piattine di massa. I disturbi radio corrispondono alla Direttiva di compatibilità elettromagnetica 2004/108/EC.

PRIMA DI COMINCIARE IL LAVORO

ATTENZIONE: Controllare che la tensione della rete elettrica corrisponda a quella indicata sulla targhetta dati tecnici dell'elettrotensile.

- Verificare in che posizione si trova l'interruttore. Innestare e disinnestare l'elettrotensile dalla presa della rete soltanto ad interruttore disinserito. Se la spina viene innestata nella presa mentre l'interruttore è nella posizione inserita, l'elettrotensile si metterà subito in moto, cosa che potrebbe causare un infortunio.
- Accertarsi dello stato di efficienza del cordone d'alimentazione e della spina. Se il cordone è danneggiato, la sostituzione deve essere eseguita dal fabbricante o da un suo specialista di centro assistenza, per evitare i pericoli che risulterebbero in seguito alla sostituzione.

AVVIAMENTO-ARRESTO

Messa in moto per breve tempo:

Avviamento: Premere l'interruttore (5). **Arresto:** Rilasciare l'interruttore (5).

Lavoro continuativo:

Avviamento: Premere l'interruttore (5) e, tenendolo premuto, bloccarlo con il pulsante (4).

Arresto: Premere l'interruttore (5) una sola volta, e rilasciarlo subito.

MONTAGGIO DEL NASTRO ABRASIVO

ATTENZIONE: Disinserire l'elettrotensile e disinnestare la spina del cordone d'alimentazione dalla presa.

1. Tirare la leva per tendere il nastro (7) e rimuovere il vecchio nastro.
2. Verificare se il nuovo nastro si posa facilmente e se non è usurato nelle estremità.

3. ISTRUZIONI PER L'USO

- Le frecce del nastro devono puntare verso la stessa direzione della freccia sulla levigatrice a nastro.
- Riportare la leva (7) alla sua posizione iniziale.
- Innestare la spina nella presa e inserire l'elettrotensile tenendolo fermamente. Lasciare il nastro abrasivo girare per un po' di tempo.
- Mentre il nastro si muove, usare il regolatore (10), per sistemare il nastro alla metà del rullo (8).
- Ripetere queste mosse, finché il nastro non sarà allineato correttamente.
- Inserire l'elettrotensile per convincersi che tutto sia regolato correttamente.

ATTENZIONE: Non lavorare con l'elettrotensile, se il suo nastro è logorato o danneggiato.

ATTENZIONE: Non è ammessa la levigatura di legname e metallo con lo stesso nastro. Le particelle metalliche penetrano nel nastro e guasteranno la superficie del legname.

SELEZIONE DEL NASTRO

- Dai negozi specializzati possono essere acquistati diversi tipi di nastro abrasivo: grosso (grana 40), medio (grana 80 e 100), e fino (grana 120).
- Usare il nastro grosso per trattamento rozzo, il nastro medio per un trattamento più raffinato, e quello fino per lavori di finitura.
- La soluzione migliore è fare una levigatura di prova, per determinare il grado ottimale, necessario per il lavoro concreto.
- Per approfittare al massimo dei vantaggi della levigatrice a nastro, comprare sempre nastri di dimostrata alta qualità.

N.B.: Dopo la levigatura con la levigatrice a nastro, usare una levigatrice vibrante per ottenere risultati ideali.

REGOLAZIONE DELLA VELOCITÀ DEL NASTRO

La velocità del nastro può essere impostata dolcemente girando il regolatore elettronico (12) persino durante il lavoro. La velocità del nastro dipende dalla sua granulometria e dal materiale trattato, e viene determinata in maniera sperimentale.

LEVIGATURA

- Questi elettrotensili sono destinati alla levigatura di legname, metallo, plastica o altri materiali simili. Si usano innanzitutto per rapida rimozione di grande quantità del materiale. Non usare questi apparecchi per il trattamento di magnesio.
- Accertarsi che il nastro sia posto bene.
- Mettere la spina del cordone d'alimentazione nella presa.
- Impostare la velocità necessaria mediante il regolatore elettronico (12). Il rendimento e la qualità della superficie trattata dipendono dalla granulometria e dalla velocità del nastro. Tanto più alta è la velocità, e tanto maggiore è la quantità del materiale rimosso, e tanto più liscia è la superficie trattata.
- Appoggiare l'apparecchio al materiale lavorato ed applicare una piccola pressione.
- Premere sull'interruttore e lasciare l'elettrotensile raggiungere la velocità massima prima di cominciare il lavoro.

3. ISTRUZIONI PER L'USO

- Premere il pulsante di bloccaggio se si desidera lavorare per più lungo tempo.
- Levigare in direzione della struttura del materiale, con movimenti paralleli, ad accavallamento.
- Per sverniciare o per lisciare un legname molto rugoso, levigare sotto un angolo di 45° in tutte e due le direzioni, e quindi concludere con movimenti nella direzione della struttura del materiale.
- Usare il rullo anteriore soltanto nella levigatura di angoli e forme irregolari.
- Levare l'apparecchio dal materiale lavorato prima di disinserirlo.
- Non dimenticare che si devono tenere le mani lontano dal nastro movente, perché esso continua a girare per ancora qualche tempo dopo lo spegnimento dell'apparecchio.
- Indossare occhiali protettivi, cuffie antirumore, e maschera antigas.

RACCOGLIMENTO DELLA POLVERE

- Disinnestare la spina del cordone d'alimentazione dalla presa.
- Attaccare strettamente la punta in plastica del sacchetto raccogli-polvere nella punta per asportazione della polvere (11).
- Prima di rimuovere la polvere dal contenitore, staccare la spina dalla presa di alimentazione.

AVVERTENZA: Per un'ottimale rimozione della polvere, svuotare il box quando supera più della metà. Non utilizzare la polvere di dialogo quando la levigatura di metallo. Le particelle metalliche roventi possono accendere la polvere e le particelle di legno rimaste nel sacchetto.

Pulizia: rimuovere la polvere di dialogo e aprire con cautela, togliere la polvere e chiudere il contenitore della polvere.

- Può essere utilizzato un adattatore per collegare alla levigatrice un aspirapolvere domestico o un impianto di aspirazione delle polveri da laboratorio.
- Una scheda è montata in estrazione della polvere di porta (11).

LAVORO CON L'APPARECCHIO IN POSIZIONE STAZIONARIA

Questo apparecchio può essere montato fisso al tavolo da lavoro.

- Voltare l'apparecchio con il nastro. I fori di montaggio (14) devono essere dalla parte dell'operatore.
- Far passare le viti prigioniere delle staffe (13) attraverso i fori di montaggio (14).
- Con l'aiuto delle staffe (13) fissare l'apparecchio al tavolo da lavoro.
- Stringere a mano le staffe con i dadi ad alette. Accertarsi che le staffe siano serrate correttamente, ma non stringerle troppo.
- Accertarsi che l'apparecchio sia fissato in modo affidabile al tavolo da lavoro, prima di inserirlo.

Usando il pulsante di bloccaggio (4), l'apparecchio può operare in regime di lavoro continuativo.

4. DATI TECNICI

DATI TECNICI

Modello:	BS75	BS75M
Potenza assorbita	600 W	900 W
Numero di giri a vuoto	170 - 250 m/min	240 - 400 m/min
Area di levigatura	75 x 125 mm	75 x 155 mm
Dimensioni del nastro	75 x 457 mm	75 x 533 mm
Peso (EPTA procedura 01/2003)	2.3 kg	3.2 kg
Classe di protezione (EN 60745)	II	II

Informazioni sul rumore e sulle vibrazioni

Emissione acustica (I valori sono stati misurati conformemente all'EN 62841):

A- livello di pressione sonora ponderata L_{pA}	88.76 dB(A)	92.22 dB(A)
Indeterminazione K_{pA}	3.0 dB	3.0 dB
A- livello di potenza sonora ponderata L_{wA}	99.76 dB(A)	103.22 dB(A)
Indeterminazione K_{wA}	3.0 dB	3.0 dB

Usare mezzi per protezione dal rumore!

Emissione di vibrazioni

Valore totale delle vibrazioni (somma vettoriale lungo i tre assi), determinato conformemente alla norma EN 62841

Valore delle vibrazioni emesse a_h	4,432/2.671 m/s ²	4.181/6,115 m/s ²
Indeterminazione K	1.5 m/s ²	1.5 m/s ²

Il livello di vibrazione sopra indicato è stato definito seguendo il metodo di misurazione riportato nella normativa EN62841 e può essere utilizzato per confrontare tra di loro diversi elettroutensili. Inoltre è adatto per effettuare una stima provvisoria del livello di esposizione.

Il livello di vibrazione si riferisce alle modalità d'uso principali dell'utensile. Tuttavia, se utilizzato per scopi diversi da quelli previsti, con punte poco stabili o senza adeguata manutenzione, il livello di vibrazione può variare. Ciò può aumentare sensibilmente il livello di esposizione durante il lavoro.

Per una precisa definizione del livello di esposizione dovrebbe essere preso in considerazione anche l'arco di tempo in cui l'utensile è spento o funzionante ma non in uso. Ciò può ridurre sostanzialmente il livello di esposizione durante il lavoro. Utilizzare l'utensile e gli accessori con cura, e maneggiarlo mantenendo le mani calde così da ridurre gli effetti dannosi dell'elevato livello di vibrazioni.

Polvere derivante da materiali come vernici contenenti particelle di piombo, alcuni tipi di legno, minerali e metallo potrebbe essere nociva. Il contatto o l'inalazione di tali polveri potrebbe causare reazioni allergiche e/o problemi al sistema respiratorio dell'utente o di terzi.

ACCESSORI

Accessori inclusi per BS75: Il contenitore per la polvere, aspirazione tubo Ø35, aspirazione tubo Ø32, Staffe di fissaggio, nastro abrasivo 75x457mm.

Accessori inclusi per BS75M: Il contenitore per la polvere, aspirazione tubo Ø35, aspirazione tubo Ø32, Staffe di fissaggio, nastro abrasivo 75x533mm.

5. MANUTENZIONE

MANUTENZIONE

ATTENZIONE: Disinserire sempre l'elettroutensile e disinnestare la spina dalla presa prima di effettuare qualsiasi riparazione, ispezione o manutenzione.

Controllare regolarmente che le viti della carcassa siano strette fermamente.

Dopo molto tempo di lavoro le viti potrebbero allentarsi a causa delle vibrazioni.

Lubrificare regolarmente tutte le parti moventi.

SOSTITUZIONE DELLE SPAZZOLE

Quando le spazzole sono usurate, tutte e due le spazzole vanno sostituite simultaneamente con spazzole originali in un centro assistenza STATUS per manutenzione in o fuori garanzia.

PULIZIA

Per un lavoro sicuro mantenere sempre puliti l'apparecchio e i fori di ventilazione.

Verificare regolarmente se nella griglia di ventilazione accanto al motore elettrico, o intorno ai commutatori, non siano penetrati polvere o corpi estranei. Usare la spazzola soffice per rimuovere la polvere ammassata.

Per proteggere gli occhi durante la pulizia, portare occhiali protettivi.

Se la carcassa dell'apparecchio necessita pulitura, strofinarla con un panno soffice e umido. Si può usare un detergente debole.

ATTENZIONE: Non è ammesso l'uso di alcool, benzina o altri solventi.

Non usare mai preparati corrosivi per pulire le parti di plastica.

ATTENZIONE: Non è ammesso il contatto di acqua con l'apparecchio.

IMPORTANTE: Per provvedere a un lavoro sicuro con l'elettroutensile e alla sua affidabilità, tutte le operazioni di manutenzione, riparazione e regolazione (ivi incluse la verifica e la sostituzione delle spazzole) vanno effettuate nei centri assistenza autorizzati STATUS, con l'impiego soltanto di pezzi di ricambio originali.

GARANZIA

Il periodo di garanzia per gli utensili STATUS ha validità a partire dalla data di acquisto ed è conforme alle normative europee. Non sono coperti da garanzia danni derivanti da usura, sovraccarico o uso improprio.

L'azienda produttrice assicura la sostituzione di tutte le parti non funzionanti in cui si riconoscano difetti di materiale e/o di lavorazione. Le prestazioni di garanzia saranno erogate solo se la macchina richiesta sarà inviata in condizioni integre al rivenditore o ad un centro di assistenza, accompagnata dallo scontrino fiscale.

ULTERIORI INFORMAZIONI

Leggere attentamente tutte le istruzioni sull'uso prima di adoperare questo prodotto.

L'azienda produttrice si riserva il diritto di apportare modifiche tecniche senza preavviso.

Le specifiche tecniche possono variare da paese a paese.

6. DICHIARAZIONE DI CONFORMITÀ CE

DICHIARAZIONE DI CONFORMITÀ CE

Con la presente dichiariamo che
Levigatrici a nastro STATUS BS75 / BS75M
corrisponde alle seguenti direttive UE in materia nella rispettiva versione valida:
2006/42/EC, 2014/30/EU

Per garantire la conformità sono state applicate le seguenti norme armonizzate
e anche le norme e disposizioni nazionali che seguono:

BS75: EN55014-1:2017, EN55014-2:2015, EN61000-3-3:2013,
EN61000-3-2:2014, EN 62841-1:2015, EN 62841-2-4:2014, AfPS GS 2014:01.
BS75M: EN55014:2016+A1+A2, EN55014-2:2015, EN61000-3-3:2013,
EN61000-3-2:2014, EN 62841-1:2015, EN 62841-2-4:2014, AfPS GS 2014:01

Il produttore è il solo responsabile della stesura della presente dichiarazione di
conformità:

STATUSTALIAS.R.L., via Aldo Moro, 14/A, 36060 - Pianezze (VI), ITALY



Caron Giacinto
L'Amministratore
STATUS ITALIA S.R.L.

1. ОБЩИ УКАЗАНИЯ ЗА БЕЗОПАСНОСТ

ОБЩИ УКАЗАНИЯ ЗА БЕЗОПАСНОСТ

ПРЕДУПРЕЖДЕНИЕ! Четете всички предупреждения и указания за
безопасност. Неспазването на предупрежденията и указанията
за безопасност може да предизвика поражение от електрически ток,
пожар и/или сериозно нараняване.

Запазете всички предупреждения и указания за бъдещо ползване.

Терминът “електроинструмент” във всички описани по-долу предупреждения
се отнася до вашия електроинструмент, захранван от мрежата (с шнур) и/или
електроинструмент, захранван от акумулаторна батерия (без шнур).

БЕЗОПАСНОСТ НА РАБОТНОТО МЯСТО

- **Поддържайте работното място чисто и добре осветено.** Безпорядъкът и недостатъчното осветление са предпоставка за трудови злополуки.
- **Не работете с електроинструменти в експлозивни атмосфери при наличие на запалими течности, газове или прах.** Електроинструментите образуват искри, които могат да възпламенят праха или парите.
- **Дръжте децата и страничните лица на разстояние, когато работите с електроинструмент.** Разсейването може да доведе до загуба на контрол от Ваша страна.

ЕЛЕКТРИЧЕСКА БЕЗОПАСНОСТ

- **Щепселите на електроинструментите трябва да съответстват на контактите.** Никога не променяйте щепсела по какъвто и да било начин. **Не използвайте каквито и да са адаптерни щепсели за електроинструменти със защитно заземяване.** Употребата на непроменени щепсели и съответстващите им контакти намалява риска за поражение от електрически ток
- **Избягвайте допир на тялото до земя или до заземени повърхности, такива като тръби, радиатори, кухненски печки и хладилници.** Ако тялото ви е заземено, съществува повишен риск от поражение от електрически ток.
- **Не излагайте електроинструментите на дъжд или във влажна среда.** Проникването на вода в електроинструмента повишава риска от поражение от електрически ток.
- **Използвайте шнура по предназначение.** Никога не използвайте шнура за носене на електроинструмента, опъване или изваждане на щепсела от контактното гнездо. **Дръжте шнура далече от топлина, масло, остри ръбове или движещи се части.** Увредени или оплетени шнурове повишават риска за поражение от електрически ток.
- **При работа с електроинструмента на открито, използвайте удължител, подходящ за работа на открито.** Използването на удължител, подходящ за работа на открито, намалява риска от поражение от електрически ток.
- **Ако работата с електроинструмента във влажна среда е неизбежна, използвайте предпазно устройство, задействано от остатъчен ток, за прекъсване на захранването.** Използването на предпазно устройство намалява риска от поражение от електрически ток.

1. ОБЩИ УКАЗАНИЯ ЗА БЕЗОПАСНОСТ

ЛИЧНА БЕЗОПАСНОСТ

- **Бъдете бдителни, работете с повишено внимание и проявявайте благоразумие, когато работите с електроинструмент. Не използвайте електроинструмента, когато сте уморени или под влияние на наркотици, алкохол или медикаменти.** Момент на невнимание при работа с електроинструмент може да предизвика сериозна трудова злополука.
- **Използвайте лични предпазни средства. Носете винаги средства за защита на очите.** Лични предпазни средства, като маска против прах, неплъзгащи се безопасни обувки, защитен шлем или средства за защита на слуха, използвани при конкретните условия, намаляват риска от трудови злополуки.
- **Избягвайте неволно пускане. Убедете се, че прекъсвачът е в изключено положение преди включване към източник на захранване и/или акумулаторна батерия, преди да го вземете или пренасяте.** Носенето на електроинструмент с пръст върху прекъсвача или свързването към източник на захранване на електроинструмент с прекъсвач във включено положение е предпоставка за трудова злополука.
- **Отстранете всеки ключ за затягане или гаечен ключ преди включване на електроинструмента.** Ключ за затягане или гаечен ключ, прикрепен към въртяща се част на електроинструмента, може да предизвика трудова злополука.
- **Не се пресягайте. Поддържайте правилен строеж и равновесие през цялото време.** Това позволява по-добро управление на електроинструмента при неочаквани ситуации.
- **Носете подходящо работно облекло. Не носете широки дрехи или бижута. Дръжте косите си, дрехите и ръкавиците далеч от движещи се части.** Широки дрехи, бижута или дълги коси могат да се захванат от движещи се части.
- **Ако електроинструментът е снабден с приспособления за засмукване и улавяне на прах, убедете се, че те са свързани и правилно използвани.** Използването на тези устройства може да намали свързаните с прах опасности.

ИЗПОЛЗВАНЕ И ГРИЖИ ЗА ЕЛЕКТРОИНСТРУМЕНТИТЕ

- **Не претоварвайте електроинструмента. Използвайте правилно избрания електроинструмент според приложението.** Правилно избраният електроинструмент работи по-добре и по-безопасно при обявения режим на работа, за който е проектиран.
- **Не използвайте електроинструмента, ако прекъсвачът не превключва във включено и изключено положение.** Всеки електроинструмент, който не може да бъде управляван с прекъсвач, е опасен и трябва да бъде ремонтиран.
- **Разединете щепсела от захранващата мрежа преди да извършите всякакви настройки, преди замяна на принадлежности или преди да приберете електроинструмента за съхранение.**

2. ДОПЪЛНИТЕЛНИ ПРАВИЛА ЗА БЕЗОПАСНОСТ ПРИ РАБОТА С ЛЕНТО-ШЛИФОВЪЧНИ МАШИНИ

- Тези предпазни мерки за безопасност намаляват риска от неволно пускане на електроинструмента.
- **Съхранявайте неизползваните електроинструменти на места, недостъпни за деца и не позволявайте на обслужващи лица, които не познават електроинструмента или не са запознати с тези инструкции, да работят с него.** Електроинструментите са опасни в ръцете на необучени потребители.
 - **Поддържайте електроинструментите. Проверявайте движещите се части дали функционират нормално и се движат свободно, целостта и изправността на частите, както и за всякакво друго обстоятелство, което може неблагоприятно да повлияе на работата на електроинструмента. Ако е повреден, електроинструментът трябва да бъде ремонтиран преди по-нататъшно използване.** Много злополуки са причинени от лошо поддържани електроинструменти.
 - **Поддържайте режещите инструменти остри и чисти.** Правилно поддържаните режещи инструменти с остри режещи ръбове е по-малко вероятно да блокират и са по-лесни за управление.
 - **Използвайте електроинструмента, принадлежностите и частите на инструмента и т.н. в съответствие с тези инструкции и по начин, предвиден за конкретния тип електроинструмент, като вземате предвид работните условия и работата, която трябва да се извършва.** Използването на електроинструмента за работа, различна от тази, за която е проектиран, може да предизвика опасна ситуация.
- ОБСЛУЖВАНЕ**
- **Поддържайте вашия електроинструмент при квалифициран специалист по ремонта, като използвате само оригиналните резервни части.** Това осигурява запазването на безопасността на електроинструмента.

ДОПЪЛНИТЕЛНИ ПРАВИЛА ЗА БЕЗОПАСНОСТ

- **Дръжте електроинструмента за изолираните повърхности за захващане, защото лентата може да допре собствения си шнур.** Срязването на проводник под напрежение ще постави откритите метални части на електроинструмента под напрежение и операторът ще получи токов удар.
- **Винаги носете защитни очила и антифони, използвайте прахозащитна маска и ръкавици.** Отделяния по време на работа прах и абразивни частици, могат сериозно да увредят вашето здраве.
- **Винаги изключвайте електроинструмента от контакта преди да предприемате ремонтни дейности, настройки или смяна на шкурката.**
- **Докато работите винаги дръжте машината здраво с двете си ръце и поддържайте стабилно положение на тялото.** Електроинструментът се направлява по-безопасно, когато го държите с две ръце.
- **Използвайте машината само за сухо шлифование.** Проникването на вода в машината увеличава риска от токов удар.

2. ДОПЪЛНИТЕЛНИ ПРАВИЛА ЗА БЕЗОПАСНОСТ ПРИ РАБОТА С ЛЕНТО-ШЛИФОВЪЧНИ МАШИНИ

- **Не работете с изхабени, скъсани или набити с прах шлифовъчни ленти.** Увредените шлифовъчни ленти могат да се скъсат, да изскочат навън и да наранят човек.
- За да се предотврати евентуално прегряване, винаги развивайте докрай кабела от удължител с кабелен барабан.
- Когато се налага използването на удължител, убедете се, че сечението му отговаря на номиналния ток на използвания електроинструмент, както и в изправността на удължителя.
- Дръжте захранващия кабел извън работния обсег на машината.
- Не докосвайте работния инструмент или обработвания детайл веднага след работа - те могат да бъдат извънредно горещи и да получите изгаряне на кожата.
- Ако е възможно винаги използвайте скоби или менгеме, за да фиксирате обработвания материал.
- Допирайте електроинструмента до обработвания материал само след като сте включили електроинструмента и го изключвайте след като сте го отделили от материала.
- Винаги изключвайте електроинструмента преди да го оставите.
- Прилагайте слаб натиск при работа. Собственото тегло на инструмента е достатъчно за постигане на добра производителност. Прекомерният натиск не увеличава производителността, а води до прегряване на електродвигателя и интензивно износване на лентата.
- Прахът, отделян при обработването на материали, съдържащи кварц (силициев двуокис), е вреден за здравето. Да не се обработват материали, съдържащи азбест.
- Когато шлифовате дърво, винаги използвайте торбичка за прах или система за прахоотвеждане.
- Преди да използвате електроинструмента за обработка на метал, винаги сваляйте торбичката за прах, защото искрите могат за възпламенят праха или торбичката.
- Не докосвайте движещата се лента.
- Убедете се, че сте отстранили всички чужди тела, напр. пирони и винтове от обработвания материал, преди да започнете работа.
- Парцали, кабели, въжета и други подобни предмети никога не трябва да се оставят в близост до работното място.
- Преди да използвате електроинструмента върху конкретен детайл, го включете и го оставете да поработи известно време. По време на работа електроинструментът трябва да се намира поне на 200 mm от лицето.

ПРЕДУПРЕЖДЕНИЕ: Преди да включите електроинструмента към захранващата мрежа (контакт, фасунга, букса) се уверете, че захранващото напрежение е същото, каквото е указано на табелката на електроинструмента. Източник на захранване с напрежение, по-високо от посоченото за електроинструмента, може да предизвика както сериозно

2. ДОПЪЛНИТЕЛНИ ПРАВИЛА ЗА БЕЗОПАСНОСТ ПРИ РАБОТА С ЛЕНТО-ШЛИФОВЪЧНИ МАШИНИ

поражение от електрически ток върху оператора, така и повреда на електроинструмента.

- Ако имате някакви колебания, не поставяйте щепсела на електроинструмента в контактното гнездо.
- Използването на източник на захранване с напрежение, по-ниско от обозначеното върху табелката на електроинструмента, ще увреди електродвигателя.
- Електроинструментът трябва да се използва само по предназначение. Всякаква друга употреба, различаваща се от описаната в тази инструкция, ще се счита за неправилна употреба. Отговорността за всякаква повреда или нараняване, произтичащи от неправилна употреба, ще се носи от потребителя, а не от производителя.
- За да експлоатирате правилно този електроинструмент, трябва да съблюдавате правилата за безопасност, общите инструкции и указанията за работа, посочени тук. Всички потребители трябва да са запознати с тази инструкция за експлоатация и информирани за потенциалните рискове при работата с електроинструмента. Деца и физически слаби хора не трябва да използват електроинструмента. Децата трябва да бъдат под непрекъснато наблюдение ако се намират в близост до място, където се работи с електроинструмента. Задължително е да предприемете и превантивни мерки за безопасност. Същото се отнася и за спазването на основните правила за професионалното здраве и безопасност.
- Производителят не носи отговорност за извършени от потребителя промени върху електроинструмента или за повреди, предизвикани от подобни промени. Дори когато електроинструментът се използва по предназначение, е невъзможно да се елиминират всички остатъчни рискови фактори. Изброените по-долу опасности могат да възникнат във връзка с конструктивните особености и дизайна на електроинструмента.
- Увреждания на белите дробове, ако не се носи защитна маска.
- Увреждания на слуха, ако не се носят антифони.
- Електроинструментът е предназначен за работа в помещения и зони с нормална пожарна опасност съгласно "Наредба №2 "Противопожарни строително-технически норми". Не се допуска използването му във взривоопасна и пожароопасна среда, при температура на околния въздух над 40°C, в особено влажна среда, при наличие на валежи и в химически активна среда. Работното място трябва да е добре осветено .

УКАЗАНИЯ ЗА РАБОТА

ЗАПОЗНАВАНЕ С ЕЛЕКТРОИНСТРУМЕНТА

Преди да започнете да работите с лентошлифовъчната машина се запознайте с всички оперативни особености и условия за безопасност. Използвайте електроинструмента и аксесоарите му само по предназначение. Всяко друго приложение е изрично забранено.

- | | |
|--|---|
| 1. Предна ръкохватка | 9. Индикатор за посоката на въртене на лентата |
| 2. Основна ръкохватка | 10. Регулатор за позициониране на шлифовъчната лента върху валяците |
| 3. Кутия за събиране на прах | 11. Накрайник за прахоотвеждане |
| 4. Бутон за застопоряване | 12. Електронен регулатор на скоростта |
| 5. Прекъсвач | 13. Скоби за захващане |
| 6. Задвижваща част | 14. Монтажни отвори |
| 7. Лоста за опъване на шлифовъчната лента | 15. Адаптер (Ø 35 мм.) |
| 8. Преден задвижващ шлифовъчната лента валяк | 16. Адаптер (Ø 32 мм.) |

ПРЕДИ ДА ЗАПОЧНЕТЕ РАБОТА

ПРЕДУПРЕЖДЕНИЕ: Проверете дали напрежението на електрическата мрежа отговаря на това, означено върху табелката с технически данни на електроинструмента.

- Проверете в какво положение се намира прекъсвачът. Електроинструментът трябва да се присъединява и отделя от захранващата мрежа само при изключен прекъсвач. Ако поставите щепсела в контакт докато прекъсвачът е във включено положение, електроинструментът веднага ще се задейства, което е предпоставка за злополука.
- Убедете се в изправността на захранващия кабел и щепсел. Ако захранващият кабел е повреден, замената трябва да се извърши от производителя или от негов сервизен специалист, за да се избегнат опасностите от замената.

ПУСКАНЕ / СПИРАНЕ

Кратковременно задействане:

Пускане: Прекъсвач (5) се натиска.

Спиране: Прекъсвач (5) се отпусна.

Продължителна работа:

Пускане: Прекъсвач (5) се натиска и в натиснато състояние се застопорява с бутон (4).

Спиране: Прекъсвач (5) се натиска еднократно и се отпусна веднага.

МОНТАЖ НА ШЛИФОВЪЧНА ЛЕНТА

ПРЕДУПРЕЖДЕНИЕ: Изключете електроинструмента и извадете щепсела на захранващия кабел от контакта.

1. Издърпайте лоста за опъване на лентата (7) и отстранете старата лента.
2. Проверете дали новата лента се полага лесно и не е износена по краищата.
3. Стрелките на лентата трябва да сочат в една и съща посока със стрелката върху лентовия шлайф.
4. Върнете лоста (7) в първоначалната му позиция.
5. Поставете щепсел в контакта и държейки здраво електроинструмента го включете. Оставете шлифовъчната лента да се повърти за известно време.
6. Докато лентата се движи, използвайте регулатора (10), за да нагласите лентата по средата на валяка (8).
7. Повторете тези действия, докато лентата е правилно подравнена.
8. Включете електроинструмента, за да се уверите, че всичко е настроено правилно.

ПРЕДУПРЕЖДЕНИЕ: Не работете с електроинструмента, ако лентата му е износена или повредена.

ПРЕДУПРЕЖДЕНИЕ: Не се допуска шлифоването на дърво и метал с една и съща лента. Металните частици се набиват в лентата и ще увредят дървената повърхност.

ИЗБОР НА ЛЕНТА

- От специализираните магазини могат да бъдат закупени различни видове шлифовъчни ленти: едра (зърненост 40), средна (зърненост 80 и 100) и фина (зърненост 120).
- Използвайте едрата лента за груба обработка, средната - за по-fino заглаждане, а фината - за довършителни работи.
- Най-добрият вариант е да направите пробно шлифоване, за да определите оптималната степен, която е необходима за конкретната работа.
- За да се възползвате изцяло от предимствата на лентошлифовъчната машина, винаги закупувайте ленти с доказано високо качество.

РЕГУЛИРАНЕ СКОРОСТТА НА ЛЕНТАТА

Скоростта на лентата може да се зададе плавно посредством завъртане на електронния регулатор (12) дори по време на работа.

Оптималната скорост на лентата зависи от нейната зърненост и от обработвания материал и се определя опитно.

ШЛИФОВАНЕ

1. Тези електроинструменти са предназначени за шлифоване на дърво, метал, пластмаса и други подобни материали. Използват се главно за бързо снемане на голямо количество от материала. Не използвайте тези машини за обработка на магнезий.
2. Уверете се, че лентата е добре поставена.
3. Поставете щепсела на захранващия кабел в контакта.
4. Задайте необходимата скорост посредством електронния регулатор (12).

3. УКАЗАНИЯ ЗА РАБОТА

Производителността и качеството на обработваната повърхност зависят от зърнеността на лентата и скоростта. Колкото по-висока е скоростта, толкова по-голямо е количеството отнет материал и по-гладка обработваната повърхност.

5. Допрете машината до обработвания материал и приложете малък натиск.
6. Натиснете прекъсвача и оставете електроинструмента да достигне максимална скорост преди да започнете работа.
7. Натиснете бутона за застопоряване ако желаете да работите продължително.
8. Шлифовайте по посока на структурата на материала с паралелни, застъпващи се движения.
9. За да свалите боя или да загладите много неравен дървен материал, шлифовайте под ъгъл от 45° в двете посоки и после завършете с движения в посока на структурата на материала.
10. Използвайте предния валеж при шлифване на ъгли и неправилни форми.
11. Отстранете инструмента от обработвания материал преди да го изключите.
12. Не забравяйте, че трябва да пазите ръцете си далече от движещата се лента, защото тя продължи да се върти известно време след като машината бъде изключена.
13. Носете защитни очила, антифони и прахозащитна маска.

ПРАХООТВЕЖДАНЕ

1. Извадете щепсела на захранващия кабел от контакта.
2. Здравно натиснете пластмаса дюзата на кутията за прах (3) върху накрайника за прахоотвеждане (11).
3. Преди да извадите кутия прах, първо изключете щепсела от захранването.

ПРЕДУПРЕЖДЕНИЕ: За оптимално премахване на праха почиствайте кутията за прах, когато тя се напълни до половина.

Не използвайте кутията за прах, когато шлифовате метал.

Горещите метални частици могат да подпалят праха или останалите в торбичката дървени частици.

Почистване на кутията: изваденете кутията за прах и внимателно го отворите, изтръскайте прахта и затворете кутията за прах.

4. Може да използвате адаптер за свързване към битова прахосмукачка или система за прахоотвеждане.

5. Адаптерът се поставя в накрайника за прахоотвеждане (11).

РАБОТА С МАШИНАТА В СТАЦИОНАРНО ПОЛОЖЕНИЕ

Тази машина може да се монтира неподвижно към работна маса.

- Обърнете машината с лентата нагоре. Монтажните отвори (14) трябва да бъдат откъм страната на оператора.
- Прокарайте шпилките на скобите (13) през монтажните отвори (14).
- С помощта на скобите (13) закрепете машината върху работната маса.
- Затегнете на ръка скобите. Убедете се че скобите са затегнати правилно, но не ги затягайте прекомерно.

4. ТЕХНИЧЕСКИ ДАННИ

- Убедете се че машината е надеждно закрепена към работната маса преди да я включите. Като използвате бутона за застопоряване можете да използвате машината в режим продължителна работа.

ТЕХНИЧЕСКИ ДАННИ

Модел	BS75	BS75M
Консумирана мощност	600 W	900 W
Скорост на празен ход	170 - 250 m/min	240 - 400 m/min
Шлифовъчна площ	75 x 125 mm	75 x 155 mm
Размери на лентата	75 x 457 mm	75 x 533 mm
Тегло (ЕРТА процедура 01/2003)	2.3 kg	3.2 kg
Клас на защита (EN 60745)	II	II

Информация за шум и вибрации

Излъчване на шум (стойн остите са измерени съгласно EN 6 2841:

А-претеглено ниво на звуково налягане L_{pA}	88.76 dB(A)	92.22 dB(A)
Неопределеност K_{pA}	3.0 dB	3.0 dB
А-претеглено ниво на звукова мощност L_{wA}	99.76 dB(A)	103.22 dB(A)
Неопределеност K_{wA}	3.0 dB	3.0 dB

Използвайте средства за защита от шума!

Излъчване на вибрации

Стойност на излъчените вибрации a_h	4.432/2.671 m/s ²	4.181/6,115 m/s ²
Неопределеност K	1.5 m/s ²	1.5 m/s ²

Посоченото в тази инструкция ниво на вибрации е измерено в съответствие с методиката за изпитване, указана в EN 62841и може да се използва за сравняване на електроинструменти. Нивото на вибрации може да се използва за предварителна оценка на степента на въздействие.

Декларираното ниво на вибрации се отнася за основното предназначение на електроинструмента. В случаите, при които електроинструментът се използва за друго предназначение, с други принадлежности или ако електроинструментът не се поддържа добре, нивото на вибрации може се различава от посоченото. В тези случаи нивото на въздействие може значително да нарасне в границите на общия период на работа.

Някои видове прах, например от дъб или бук, се считат за канцерогенни, особено в комбинация с добавки за обработка на дървесина (хромат, консерванти).

- Когато това е възможно, използвайте прахоотвеждане.
- За да се постигне висока степен на прахоулавяне, при работа с този електроинструмент използвайте прахосмукачка, предназначена за събиране на прах от дървесина или за прах от дървесина и/или минерален прах.
- Осигурете добра вентилация на работното място.

5. ПОДДРЪЖКА

ПРИНАДЛЕЖНОСТИ

Включените аксесоари за BS75: Кутия за събиране на прах, адаптер Ø35, адаптер Ø32, скоби за захващане, шлифовъчна лента 75x457mm.

Включените аксесоари за BS75M: Кутия за събиране на прах, адаптер Ø35, адаптер Ø32, скоби за захващане, шлифовъчна лента 75x533mm.

ПОДДРЪЖКА

ПРЕДУПРЕЖДЕНИЕ: Винаги изключвайте електроинструмента и изваждайте щепсела от контакта преди всякаква проверка или поддръжка.

Проверявайте редовно дали винтовете на корпуса са здраво притегнати.

При продължителна употреба винтовете може да се разхлабят от вибрациите.

Редовно смазвайте всички движещи се части.

ПОДМЯНА НА ЧЕТКИТЕ

Когато четките се износят, двете четки трябва да се подменят едновременно с оригинални четки в сервиз на STATUS за гаранционна и извънгаранционна поддръжка.

ПОЧИСТВАНЕ

За безопасна работа поддържайте винаги чисти машината и вентилационните отвори. Редовно проверявайте дали във вентилационната решетка близо до електродвигателя или около превключвателите не е проникнал прах или чужди тела. Използвайте мека четка за да отстраните събралия се прах.

За да предпазите очите си, по време на почистването носете защитни очила.

Ако корпусът на машината се нуждае от почистване, избършете го с мека влажна кърпа. Може да се използва слаб препарат за миене.

ПРЕДУПРЕЖДЕНИЕ: Не се допуска употребата на спирт, бензин или други разтворители. Никога не използвайте разяждащи препарати за почистване на пластмасовите части.

ПРЕДУПРЕЖДЕНИЕ: Не се допуска влизането на вода в контакт с машината.

ВАЖНО: За да се осигури безопасната работа с електроинструмента и неговата надеждност, всички дейности по ремонта, поддръжката и регулирането (включително проверката и подмяната на четките) трябва да се извършват в оторизираните сервизи на STATUS с използване само на оригинални резервни части.

ГАРАНЦИЯ

Гаранционният срок на електроинструментите STATUS се определя в гаранционна карта. Неизправности, появили се в следствие на естествено износване, претоварване или неправилна експлоатация, се изключват от гаранционните задължения. Неизправности, появили се в следствие на влагане на некачествени материали и/или производствени грешки, се отстраняват без допълнително заплащане чрез замяна или ремонт.

Рекламация на дефектирал електроинструмент STATUS се признава, когато машината се върне на доставчика или се представи на оторизиран гаранционен сервиз в неразглобено (първоначално) състояние.

6. ДЕКЛАРАЦИЯ ЗА СЪОТВЕТСТВИЕ

Забележки

Внимателно прочетете цялата инструкция за използване преди да използвате това изделие.

Производителят си запазва правото да въвежда подобрения и промени в своите изделия и да променя спецификациите без предупреждение.

Спецификациите могат да се различават за отделните страни.

ДЕКЛАРАЦИЯ ЗА СЪОТВЕТСТВИЕ

STATUS ITALIA S.R.L. декларира, че тези продукти с търговска марка STATUS: Лентошлифовъчни машини BS75 и BS75M е произведени в съответствие със следните директиви на ЕС: Директива за машини: 2006/42/EC, 2014/30/EU A също така отговаря на следните стандарти: BS75: EN55014-1:2017, EN55014-2:2015, EN61000-3-3:2013, EN61000-3-2:2014, EN 62841-1:2015, EN 62841-2-4:2014, AfPS GS 2014:01. BS75M: EN55014:2016+A1+A2, EN55014-2:2015, EN61000-3-3:2013, EN61000-3-2:2014, EN 62841-1:2015, EN 62841-2-4:2014, AfPS GS 2014:01

Техническата документация се съхранява при производителя:

STATUS ITALIA S.R.L., Виа Алдо Моро, 14 / А, 36 060 - Pianezze (VI), ИТАЛИЯ

Карон Джиасинто
Директор
STATUS ITALIA S.R.L.

Дистрибутор на територията на България:

Спринтер ООД.

Адрес по регистрация: България, гр. София 1000, бул. Христо Ботев 28, ет. 7.

Адрес за кореспонденция: България, гр. София 1303,

бул. Тодор Александров №28, магазин №4.

Уебсайт: www.status-tools.com, E-mail: office@status-tools.eu. Тел. 02 870 51 98

ОБЩИЕ ПРАВИЛА БЕЗОПАСНОСТИ



ВНИМАНИЕ !

Внимательно изучите инструкцию. Несоблюдение изложенных в ней правил может стать причиной поражения электрическим током, или получения травмы.

Сохраните эту инструкцию

1) БЕЗОПАСНОСТЬ РАБОЧЕГО МЕСТА

- Соблюдайте чистоту и поддерживайте надлежащую освещенность на рабочем месте. Беспорядок на рабочем месте или его плохое освещение могут привести к несчастным случаям.
- Не используйте с электроинструментом во взрывоопасной среде, т.е. в непосредственной близости от легковоспламеняющихся жидкостей, газов или пыли. В процессе работы электроинструмент искрит и искры могут воспламенить газы или пыль.
- При работе с электроинструментом не допускайте детей или посторонних на Ваше рабочее место. Отвлечение Вашего внимания может привести к потере контроля над работой инструмента.

2) ЭЛЕКТРИЧЕСКАЯ БЕЗОПАСНОСТЬ

- Штепсельная вилка кабеля питания электроинструмента должна соответствовать розетке электросети. Не вносите никаких изменений в конструкцию вилки. Не используйте адапторы для электроинструмента с защитным заземлением. Заводские штепсельные вилки и соответствующие им сетевые розетки существенно снижают вероятность электрошока.
- Избегайте механических контактов с такими заземленными поверхностями, как трубопроводы, системы отопления, плиты и холодильники. При соприкосновении человека с заземленными предметами во время работы инструментом вероятность электрошока существенно возрастает.
- Оберегайте электроинструмент от воздействия дождя и влаги. Попадание воды в электроинструмент повышает вероятность электрического удара.
- Используйте кабель строго по назначению. Не допускается тянуть и передвигать электроинструмент за кабель или использовать кабель для вытягивания вилки из розетки. Оберегайте кабель инструмента от воздействия высоких температур, масла, острых кромок или движущихся частей электроинструмента. Поврежденный или спутанный кабель повышает возможность электрического удара.
- При работе на улице используйте удлинитель, предназначенный для работы вне помещения. Использование такого удлинителя снижает вероятность электрического удара.
- Если невозможно избежать применения электроинструмента в сыром помещении, то устанавливайте устройство защиты от утечки в землю.

3) ЛИЧНАЯ БЕЗОПАСНОСТЬ

- Будьте внимательны, следите за тем, что Вы делаете и выполняйте работу обдуманно. Не пользуйтесь электроинструментом, если Вы устали или находитесь под воздействием транквилизаторов, алкоголя или медицинских препаратов. Секундная потеря концентрации в работе с электроинструментом может привести к серьезным травмам.
- Используйте средства индивидуальной защиты. Защитные очки обязательны. Средства индивидуальной защиты, такие как противопылевой респиратор, нескользящая защитная обувь, шлем-каска, средства защиты органов слуха применяются в соответствующих условиях работы обстоятельствах и минимизируют возможность получения травм.
- Предотвращайте непреднамеренное включение электроинструмента. Перед подключением электроинструмента к электропитанию и/или к аккумулятору убедитесь в выключенном состоянии электроинструмента. Если Вы при транспортировке электроинструмента держите палец на выключателе или включенный электроинструмент подключаете к сети питания, то это может привести к несчастному случаю.
- Во избежание травм перед включением инструмента удалите регулировочный или гаечный ключ из вращающейся части инструмента.
- Не переоценивайте свои возможности. Твердо стойте на ногах и удерживайте равновесие. В таком положении вы сможете лучше контролировать инструмент в неожиданных ситуациях.
- Используйте подходящую рабочую одежду. Не надевайте свободную одежду и украшения. Волосы, одежда и перчатки должны находиться подальше от движущихся частей электроинструмента. Свободная одежда, украшения или длинные волосы легко могут попасть в движущиеся части электроинструмента.
- При наличии пылеотсасывающих и пылесборных приспособлений убедитесь в том, что они подсоединены и используются надлежащим образом. Применение пылесоса может снизить опасности, создаваемые пылью.

4) ЭКСПЛУАТАЦИЯ И УХОД ЗА ЭЛЕКТРОИНСТРУМЕНТОМ

- Не перегружайте инструмент. Используйте тот инструмент, который предназначен для данной работы. С подходящим инструментом Вы выполните работу лучше и надежнее, используя весь диапазон его возможностей.
- Не используйте инструмент с неисправным выключателем. Инструмент с неисправным выключателем опасен и подлежит ремонту.
- До начала наладки электроинструмента, замены принадлежностей или прекращения работы отключайте штепсельную вилку от розетки сети и/или выньте аккумулятор. Данная мера предосторожности предотвращает случайное включение инструмента.
- Храните неиспользуемый электроинструмент в недоступном для детей месте и не позволяйте использовать его лицам, не умеющим с ним

2. ПРАВИЛА БЕЗОПАСНОСТИ ДЛЯ ШЛИФМАШИН

обращаться или не ознакомленным с инструкцией по эксплуатации.

Электроинструменты представляют собой опасность в руках неопытных пользователей.

- Электроинструмент требует надлежащего ухода. Проверяйте безупречность функции подвижных частей, лёгкость их хода, целостность всех частей и отсутствие повреждений, которые могут негативно сказаться на работе инструмента. При обнаружении повреждений сдайте инструмент в ремонт. Большое число несчастных случаев связано с неудовлетворительным уходом за электроинструментом.
- Режущие части инструмента необходимо поддерживать в заточенном и чистом состоянии. При надлежащем уходе за режущими принадлежностями с острыми кромками они реже заклиниваются и инструмент лучше поддаётся контролю.
- Используйте электроинструмент, принадлежности, биты и т.д. в соответствии с данными инструкциями, исходя из особенностей условий и характера выполняемой работы. Использование электроинструмента не по назначению может привести к опасным последствиям.

ПРАВИЛА БЕЗОПАСНОСТИ ДЛЯ ШЛИФОВАЛЬНЫХ МАШИН

- **Держите электроинструмент за изолированные рукоятки, так как шлифовальная лента может задеть свой собственный сетевой шнур.** Повреждение сетевого шнура ставит под напряжение металлические части электроинструмента и может привести к поражению оператора электрическим током.
- **Всегда носите защитные очки, наушники и используйте пылезащитную маску.** Выделяемая во время работы пыль и абразивные частицы, могут нанести серьёзный вред Вашему здоровью.
- **Всегда выключайте электроинструмент из розетки перед выполнением ремонта, настройки или замены шлифовальной ленты.**
- **Во время работы всегда держите инструмент крепко обеими руками и поддерживайте стабильное положение тела.** Электроинструмент является более безопасным, если его контролируют при работе обеими руками.
- **Используйте изделие только для сухого шлифования.** Проникновение воды в корпус изделия повышает риск удара электрическим током.
- **Не работайте с изношенными, порванными или забитыми пылью шлифовальными лентами.** Поврежденные шлифовальные ленты могут порваться, соскочить с направляющих роликов и нанести травму.
- Для предотвращения возможного перегрева, всегда полностью разматывайте удлинительный сетевой шнур с барабана.
- В случае необходимости использования удлинителя, убедитесь, что его сечение соответствует номинальному току электроинструмента, а также убедитесь в исправности удлинителя.
- Держите сетевой шнур вне зоны где производите шлифовальные работы.

2. ПРАВИЛА БЕЗОПАСНОСТИ ДЛЯ ШЛИФМАШИН

- После продолжительной работы внешние металлические части и принадлежности могут нагреться. Не дотрагивайтесь до рабочего инструмента или обрабатываемой детали сразу после работы – они могут быть горячими, и Вы можете получить ожоги кожи.
 - По возможности всегда используйте зажимы или тиски для закрепления обрабатываемого материала.
 - Подводите электроинструмент к обрабатываемому материалу только после включения электроинструмента и выключайте его после того, как отведете его от обрабатываемой заготовки.
 - Не прилагайте излишних усилий прижимая инструмент к обрабатываемой поверхности. Собственный вес электроинструмента достаточен для достижения хорошей производительности. Чрезмерное давление не увеличивает производительности, а приводит к перегреву электродвигателя и интенсивному износу шлифовальной ленты.
 - Пыль, выделяемая при обработке материалов, содержащих кварц (диоксид кремния), вреден для здоровья. Не обрабатывайте материалы, содержащие асбест.
 - При шлифовании древесины всегда используйте контейнер для сбора пыли или систему пылеотвода подключенную к пылесосу.
 - Перед тем, как использовать электроинструмент для обработки металла всегда снимите контейнер для пыли, поскольку искры и горячие частицы металла могут воспламенить пыль в контейнере или сам контейнер.
 - Не прикасайтесь к движущейся ленте.
 - Перед началом работы убедитесь в том, что с обрабатываемой поверхности устранены все инородные тела, например, гвозди и винты.
 - Никогда не оставляйте тряпки, кабели, веревки и другие подобные предметы возле рабочего места.
 - Перед тем, как использовать электроинструмент на конкретной детали, включите и оставьте его поработать определенное время. Во время работ электроинструмент должен находиться хотя бы в 20 см. от лица и тела.
- ПРЕДУПРЕЖДЕНИЕ: Перед включением электроинструмента в сеть электропитания (розетка, патрон, гнездо) убедитесь в том, что сетевое напряжение соответствует указанному на табличке электроинструмента. Сетевое напряжение, превышающее номинальное, может привести к серьезным травмам пользователя, а также к повреждению машины.**
- Если источник питания напряжением выше указанного на табличке электроинструмента, то он может вызвать серьезное поражение током оператора и повреждение электроинструмента.
 - Если вы не уверены в соответствии напряжения в сети безопасному, не включайте электроинструмент в сеть.
 - Если источник питания напряжением ниже указанного на табличке электроинструмента, то он может привести к повреждению электродвигателя.

3. УКАЗАНИЯ ПО РАБОТЕ

- Электроинструмент следует использовать только по назначению. Любое другое использование, кроме описанного в настоящей инструкции, будет считаться неправильным использованием. Ответственность за любое повреждение или травму, возникающие в результате неправильного использования, будет нести потребитель, а не производитель.
- Для правильной эксплуатации данного электроинструмента необходимо соблюдать правила безопасности, общие инструкции и указания по работе, содержащиеся в настоящей инструкции. Все пользователи должны ознакомиться с этой инструкцией по эксплуатации и информированы о потенциальных рисках при работе с электроинструментом. Дети и физически слабые лица не должны использовать электроинструмент. Дети должны находиться под постоянным наблюдением, если они находятся вблизи места, где работают с электроинструментом. Обязательно следует принимать и превентивные меры безопасности. То же самое касается и соблюдения основных правил охраны здоровья и безопасности.
- Производитель не несет ответственности за внесенные пользователем изменения в электроинструмент или за повреждения, вызванные подобными изменениями.

Даже если электроинструмент используется по назначению, невозможно пренебречь всеми остаточными факторами риска.

Перечисленные ниже опасности могут возникнуть в связи с конструктивными особенностями электроинструмента.

- Повреждение легких, если не использовать защитную маску.
- Повреждение слуха, если не использовать наушники.
- Электроинструмент не следует использовать на открытых площадках в дождливую погоду, во влажной среде (после дождя) или вблизи легко возгорающихся жидкостей и газов.

Рабочее место должно быть хорошо освещено.

УКАЗАНИЯ ПО РАБОТЕ

ОПИСАНИЕ ЭЛЕКТРОИНСТРУМЕНТА

Перед началом работы ознакомьтесь со всеми функциями инструмента и правилами безопасной работы. Используйте электроинструмент и его аксессуары только по назначению.

- | | |
|--|--|
| 1. Передняя рукоятка | 10. Регулятор баланса шлифленты |
| 2. Задняя рукоятка | 11. Патрубок системы пелеотсоса |
| 3. Контейнер для сбора пыли | 12. Электронный регулятор скорости ленты |
| 4. Фиксатор клавиши выключателя | 13. Струбцины крепежные |
| 5. Клавиша выключателя | 14. Отверстия под струбцины |
| 6. Ведущий вал | 15. Адаптер пылеотсоса (Ø 35 мм.) |
| 7. Рычаг механизма натяжения ленты | 16. Адаптер пылеотсоса (Ø 32 мм.) |
| 8. Передний направляющий вал | |
| 9. Указатель направления движения шлифовальной ленты | |

3. УКАЗАНИЯ ПО РАБОТЕ

ПЕРЕД НАЧАЛОМ РАБОТЫ

ПРЕДОСТЕРЕЖЕНИЕ: Убедиться, что напряжение электросети соответствует обозначениям на табличке с техническими данными машины.

- Убедитесь, что кабель питания и его штепсель в исправном состоянии. Замена неисправного кабеля питания должна быть выполнена производителем или специалистом фирменного сервиса.

ВКЛЮЧЕНИЕ И ВЫКЛЮЧЕНИЕ

Кратковременный пуск:

Пуск: Нажать клавишу выключателя (5).

Остановка: Отпустить клавишу выключателя (5).

Длительная работа:

Пуск: Нажать клавишу выключателя (5), и в таком положении зафиксировать её кнопкой (4).

Остановка: Нажать клавишу выключателя (5) однократно и сразу отпустить.

УСТАНОВКА ШЛИФОВАЛЬНОЙ ЛЕНТЫ

ПРЕДОСТЕРЕЖЕНИЕ: Перед установкой или заменой ленты выключите ленточную шлифовальную машину и выньте штепсель от розетки.

1. Сдвиньте рычаг (7) для натяжения ленты и снимите старую ленту.
2. Убедитесь в том, что новая лента не имеет повреждений и сильного износа.
3. Наденьте ленту таким образом, чтобы стрелка на внутренней стороне ленты совпала по направлению со стрелкой (9) на корпусе машины.
4. Верните рычаг натяжителя (7) в исходное положение.
5. Включите машину в сеть, и крепко держа электроинструмент, нажмите клавишу выключателя (5). Прокрутите ленту.
6. Если во время движения лента сползает с вала двигаясь в поперечном направлении отбалансируйте ее вращая регулятор (10).
7. Лента при движении должна быть сбалансирована по центру ведущего и направляющего валов и не смещаться в поперечном направлении.

ПРЕДОСТЕРЕЖЕНИЕ: Не используйте для работы сильно изношенные или поврежденные шлифовальные ленты.

ПРЕДОСТЕРЕЖЕНИЕ: Не используйте одну и ту же ленту для обработки разных материалов, например дерева и металла.

КАК ВЫБРАТЬ ПРАВИЛЬНУЮ ШЛИФОВАЛЬНУЮ ЛЕНТУ

1. Наиболее часто применяемые шлифовальные ленты – это крупнозернистая «40», среднезернистая «80» и мелкозернистая «120».
2. Используйте крупнозернистую ленту для грубой обработки, среднезернистую для подшлифовки и мелкозернистую для финишной обработки.

3. УКАЗАНИЯ ПО РАБОТЕ

3. Подходящую ленту лучше всего подбирать путем опробования на ненужном куске материала.

4. Для обеспечения высокой производительности машины всегда используйте ленты гарантированно заводского происхождения и высокого качества.

ПРИМЕЧАНИЕ: После шлифования лентошлифовальной машины используйте виброшлифовальную машину для окончательной отделки поверхности.

ЭЛЕКТРОННАЯ РЕГУЛИРОВКА СКОРОСТИ ЛЕНТЫ

Скорость ленты можно установить заранее с помощью регулятора скорости (12) и изменять во время работы.

Оптимальная скорость ленты зависит от зернистости ленты и от обрабатываемого материала, как правило скорость определяется опытным путем.

ШЛИФОВАНИЕ

1. Ленточные шлифовальные машины предназначены для шлифования дерева, металла, пластмассы и других подобных материалов. Они используются основным для быстрого снятия тонкого слоя материала. Не используйте машин для обработки магниевых сплавов.
2. Перед началом работы убедитесь, что лента правильно установлена на машину и отбалансирована на валах.
3. Включите сетевой шнур в розетку.
4. Установите необходимую скорость с помощью регулятора скорости (12). Производительность и качество обрабатываемой поверхностью зависит от зернистости и скорости ленты. Чем выше скорость, тем больше количество снятого за один проход материала и глаже обрабатываемая поверхность.
5. Поставьте инструмент на заготовку и слегка прижмите его к обрабатываемой поверхности.
6. Включите инструмент и подождите, пока лента достигнет максимальной скорости.
7. Зафиксируйте клавишу выключателя фиксатором во включенном положении если нужна длительная обработка больших поверхностей.
8. Шлифуйте вдоль структуры материала равномерными параллельными движениями.
9. Для удаления краски или шлифовки грубых деревянных поверхностей шлифуйте под углом 45° в обе стороны и только в конце обработки – вдоль структуры материала.
10. Используйте передний вал для шлифования углов и заготовок с неровными поверхностями.
11. Перед тем как выключить инструмент, поднимите его с материала.
12. Держите дальше от ленты, так как она некоторое время продолжает вращаться после выключения инструмента.
13. Во время работы применяйте защитные очки, наушники и защитный шлем.

4. ТЕХНИЧЕСКИЕ ДАННЫЕ И КОМПЛЕКТАЦИЯ

ОТСОС ПЫЛИ

1. Выключите инструмент.
2. Плотно оденьте трубку контейнера для пыли (3) на патрубок системы пылеудаления (11).
3. Перед тем как снять контейнер для чистки, отключите инструмент от сети.
ПРЕДОСТЕРЕЖЕНИЕ: Для достижения оптимального пылеулавливания необходимо регулярно опорожнять контейнер когда он наполнен более чем наполовину. Не используйте контейнер для сбора пыли при шлифовании металла, так как в данном случае возникает опасность возгорания из-за попадания в контейнер искр и частиц разогретого металла.
Очистка контейнера: Снимите контейнер с инструмента, откройте крышку и вытряхните из него пыль. При необходимости мягкой щеткой очистите фильтрующие сетки на внутренней поверхности контейнера.
4. Для подсоединения к пылесосу используйте один из адаптеров, входящих в комплект поставки инструмента.
5. Плотно установите адаптер на патрубок (11), к другому концу адаптера присоедините наконечник шланга пылесоса.

РАБОТА С МАШИНОЙ В СТАЦИОНАРНОМ ПОЛОЖЕНИИ

Данная машина может неподвижно может устанавливаться в стационарное положение.

- Установите машину на краю стола лентой вверх.
- Монтажные отверстия для установки струбцин (14) должны быть направлены к краю стола (к оператору).
- Вставьте горизонтальные крепежные стержни струбцин (13) в монтажные отверстия (14) на всю их длину.
- Затяните струбцины винтовыми упорами обеспечив надежное крепление инструмента к рабочему столу. Не перетягивайте струбцины, их крепежные стержни могут повредить корпус изделия в районе монтажных отверстий.
- Проверьте надежность крепления, инструмент не должен смещаться под нагрузкой обрабатываемой заготовки по столу в продольном и поперечном направлении.
- При работе в стационарном положении фиксируйте клавишу выключателя (5) во включенном положении при помощи фиксатора (4).

ТЕХНИЧЕСКИЕ ДАННЫЕ

Модель	BS75	BS75M
Потребляемая мощность	600 W	900 W
Скорость движения ленты	170 - 250 м/мин	240 - 400 м/мин
Площадь рабочей поверхности	75 x 125 мм	75 x 155 мм
Размер ленты	75 x 457 мм	75 x 533 мм
Вес (ЕРТА процедура 01/2003)	2.3 кг	3.2 кг
Класс защиты (EN 60745)	II	II

5. ОБСЛУЖИВАНИЕ

Информация о шуме и вибрациях

	BS75	BS75M
Излучение шума (значения замерялись в соответствии с EN 60745):		
A-взвешенный уровень звукового давления L_{pA}	88.76 дБ(A)	92.22 дБ(A)
Неопределенность K_{pA}	3.0 дБ A-	3.0 дБ
взвешенный уровень звуковой мощности L_{WA}	99.76 дБ(A)	103.22 дБ(A)
Неопределенность K_{WA}	3.0 дБ	3.0 дБ

Используйте средства защиты от шума!

Излучение вибраций (уровень вибраций измерен в соответствии с т. 6.2.7 EN 60745-1):

суммарные значения вибраций (векторная сумма трех направлений) определенные в соответствии с EN 60745

Величина вибрации a_h	4,432/2,181 м/с ²	4,181/6,115 м/с ²
Неопределенность K	1.5 м/с ²	1.5 м/с ²

Указанный в настоящую инструкцию уровень вибраций измерен в соответствии с установленную EN 62841 методику испытаний и может использоваться для сравнения электроинструментов. Уровень вибраций может использоваться для предварительной оценки воздействия.

Указанный уровень вибраций дан при условии использования инструмента по его прямому назначению (шлифованию). В тех случаях, когда инструмент используется для других целей, с другими принадлежностями, уровень вибраций может отличаться от указанного. В этих случаях уровень воздействия может значительно возрасти в рамках общего периода работы.

Определенные виды пыли, как из дуба и бука, считаются канцерогенными, особенно, совместно с присадками для обработки древесины (хроматы и средство для защиты древесины). Материал с содержанием асбеста разрешается обрабатывать только специалистам.

КОМПЛЕКТАЦИЯ BS75: Контейнер для пыли, адаптер Ø35, адаптер Ø32, струбины стационарной установки, шлифовальная лента лента 75x457мм.

КОМПЛЕКТАЦИЯ BS75M: Контейнер для пыли, адаптер Ø35, адаптер Ø32, струбины стационарной установки, шлифовальная лента 75x533mm.

ВНИМАНИЕ: Производитель оставляет за собой право изменения технических параметров и комплектации изделия без предварительного уведомления.

ОБСЛУЖИВАНИЕ

ВНИМАНИЕ! Перед началом любой операции по проверке или обслуживанию обязательно отключите электроинструмент от сети.

Проверяйте и регулярно затягивайте винты на корпусе машины. При продолжительном использовании затяжка винтов может ослабнуть от вибрации. Регулярно смазывать все движущиеся части.

ЗАМЕНА ЩЕТОК При значительном падении мощности и повышенном искрении надо произвести замену угольных щеток. Щетки заменяются комплектом (2 шт) оригинальных щеток в сервисном центре STATUS.

6. ДЕКЛАРАЦИЯ СООТВЕТСТВИЯ

ЧИСТКА При шлифовании образуется много пыли, поэтому особое внимание нужно уделять чистке изделия после каждого рабочего дня. Особое внимание надо уделять вентиляционным отверстиям на корпусе двигателя, ведущему и направляющему валам и выключателю. Пыль устраняется продувкой машины сжатым воздухом или мягкой кистью. Корпус машины можно протирать мягкой влажной тряпкой. Можно использовать раствор неагрессивного моющего средства.

ПРЕДОСТЕРЕЖЕНИЕ: Не допускается использование спирта, бензина и прочих растворителей. При чистке пластмассовых частей запрещено использование разъедающих пластмассу средств.

ПРЕДОСТЕРЕЖЕНИЕ: Не допускается попадание воды и брызг в машину.

ВАЖНО: Для гарантированной безопасной и надежной работы инструмента все операции по ремонту, обслуживанию и регулировке (например проверка и замена щеток) должны быть выполнены в авторизованном сервисе STATUS.

Гарантия

Гарантийный срок электроинструментов STATUS указан в гарантийной карте. Неисправности, появившиеся в результате естественного износа, перегрузки или неправильной эксплуатации, не входят в гарантийные обязательства.

ДЕКЛАРАЦИЯ СООТВЕТСТВИЯ

STATUS ITALIA S.R.L. заявляет, что изделия торговой марки STATUS: Машины ленточные шлифовальные BS75 и BS75M изготовлены в соответствии со следующими директивами: 2006/42/EC, 2014/30/EU

А так же соответствуют нижеперечисленным стандартам:

BS75: EN55014-1:2017, EN55014-2:2015, EN61000-3-3:2013, EN61000-3-2:2014, EN 62841-1:2015, EN 62841-2-4:2014, AfPS GS 2014:01.

BS75M: EN55014:2016+A1+A2, EN55014-2:2015, EN61000-3-3:2013, EN61000-3-2:2014, EN 62841-1:2015, EN 62841-2-4:2014, AfPS GS 2014:01.

Техническая документация хранится у производителя: STATUS ITALIA S.R.L., via Aldo Moro, 14/A, 36060 - Pianezze (VI), ITALY

Директор
STATUS ITALIA S.R.L.

Карон Джиасинто

Изделия соответствуют требованиям следующих технических регламентов Таможенного Союза: TP TC 004/2011, TP TC 010/2011, TP TC 020/2011, TP TC 037/2016. Информация о сертификате находится на сайте www.status-tools.com.

Изготовитель: «СТАТУС ИТАЛИЯ С.р.л.» Виа Альдо Моро, 14/А, 36060 Пянецце, Италия. Сделано в КНР.

Представитель в России: ООО «СТАТУС ТУЛС» 143085, Московская область, Одинцовский район, р/п Заречье, территория 12 месяцев ЖК, стр. 13.